



973

Track Loader

Build Number: 12A

Technical Specifications

Configurations and features may vary by region. Please consult your Cat® dealer for availability in your area.

Table of Contents

973 Track Loader

| | | | |
|---------------------------------|----------|--|-----------|
| Specifications | 3 | Work Tools and Couplers | 6 |
| Engine | 3 | Buckets | 7 |
| Air Conditioning | 3 | Track | 9 |
| Drive System | 3 | Ripper | 9 |
| Implement System | 3 | Standards | 9 |
| Service Refill Capacities | 3 | Operating Specifications with Pallet Forks | 10 |
| Drawbar Pull | 3 | Standard and Optional Equipment | 11 |
| Weights and Dimensions | 4 | 973 Environmental Declaration | 14 |

973 Track Loader – Waste Handler/Demolition Configuration

| | | | |
|--|-----------|---|-----------|
| Key Features and Benefits | 15 | Waste Handler | 17 |
| Specifications | 16 | Enhanced Cleaning Waste Handler | 17 |
| Engine | 16 | Extreme Service Waste Handler or Demolition | 17 |
| Air Conditioning | 16 | Dimensions | 18 |
| Drive System | 16 | Buckets | 19 |
| Implement System | 16 | Track | 21 |
| Service Refill Capacities | 16 | Ripper | 21 |
| Drawbar Pull | 16 | Waste Handler Features | 22 |
| Standards | 17 | Standard and Optional Equipment | 23 |

(continued on next page)

973 Track Loader Table of Contents

Table of Contents *(continued)*

973 Track Loader – Ship Hold Configuration

| | |
|--|-----------|
| Key Features and Benefits | 26 |
| Specifications | 27 |
| Engine | 27 |
| Air Conditioning | 27 |
| Drive System | 27 |
| Implement System | 27 |
| Service Refill Capacities | 27 |
| Drawbar Pull | 27 |

| | |
|------------------------------|----|
| Track | 28 |
| Weights and Dimensions | 28 |
| Standards | 28 |
| Dimensions | 29 |
| Blades | 29 |
| Buckets | 30 |

Standard and Optional Equipment

31

973 Track Loader – Steel Mill Configuration

| | |
|--|-----------|
| Key Features and Benefits | 34 |
| Specifications | 35 |
| Engine | 35 |
| Air Conditioning | 35 |
| Drive System | 35 |
| Implement System | 35 |
| Service Refill Capacities | 35 |

| | |
|------------------------------|----|
| Drawbar Pull | 35 |
| Weights and Dimensions | 36 |
| Buckets | 37 |
| Track | 37 |
| Standards | 37 |

Standard and Optional Equipment

38

973 Track Loader Specifications

Engine

| | | |
|--------------------------|--|---------------------|
| Engine Model | Cat® C9.3B | |
| Emissions | Meets U.S. EPA Tier 4 Final, EU Stage V, Korea Stage V, China Nonroad Stage IV, Japan 2014 emission standards or Eurasian Economic Union Stage IIIA, UN ECE R96 Stage IIIA emission standards, equivalent to U.S. EPA Tier 3/ EU Stage IIIA. | |
| Net Power (1,800 rpm) | | |
| ISO 9249/SAE J1349 | 205 kW | 275 hp |
| ISO 9249 (DIN) | 279 mhp | |
| Engine Power (1,800 rpm) | | |
| ISO 14396 | 228 kW | 306 hp |
| ISO 14396 (DIN) | 310 mhp | |
| Bore | 115 mm | 4.5 in |
| Stroke | 149 mm | 5.9 in |
| Displacement | 9.3 L | 567 in ³ |

- Net power advertised is the power available at the engine flywheel when the engine is equipped with a fan, air cleaner, clean emissions module and alternator.
- Advertised power is tested per the specified standard in effect at the time of manufacture.
- No derating required up to 2743 m (9,000 ft) altitude.
- Cat® U.S. EPA Tier 4 Final, EU Stage V, Korea Stage V, China Nonroad Stage IV, Japan 2014 engines are required to use ULSD (ultra-low sulfur diesel fuel with 15 ppm of sulfur or less) or ULSD blended with the following lower-carbon intensity fuels up to:
 - ✓ 20% biodiesel FAME (fatty acid methyl ester)*
 - ✓ 100% renewable diesel, HVO (hydrotreated vegetable oil) and GTL (gas-to-liquid) fuels

Cat engines meeting Eurasian Economic Union Stage IIIA, UN ECE R96 Stage IIIA emission standards, equivalent to U.S. EPA Tier 3/ EU Stage IIIA, are compatible with diesel fuel blended with the following lower-carbon intensity fuels up to:

- ✓ 100% biodiesel FAME (fatty acid methyl ester)**
- ✓ 100% renewable diesel, HVO (hydrotreated vegetable oil) and GTL (gas-to-liquid) fuels

Refer to guidelines for successful application. Please consult your Cat dealer or “Caterpillar Machine Fluids Recommendations” (SEBU6250) for details.

**Engines with no aftertreatment devices can use higher blends, up to 100% biodiesel (For use of blends higher than 20% biodiesel, consult your Cat dealer).*

***For use of blends higher than 20% biodiesel, consult your Cat dealer.*

Air Conditioning

The air conditioning system on this machine contains the fluorinated greenhouse gas refrigerant R134a (Global Warming Potential = 1430). The system contains 1.1 kg of refrigerant which has a CO₂ equivalent of 1.573 metric tons.

Drive System

| | |
|-------------------------|---|
| Description | Electronically controlled Hydrostatic drive with two variable displacement bent axis motors and two variable displacement slipper-type axial piston pumps |
| Travel Speed | Infinite variable speed from 0 to 11 km/h (0 to 6.8 mph) |
| Maximum System Pressure | 45 000 kPa 6,527 psi |

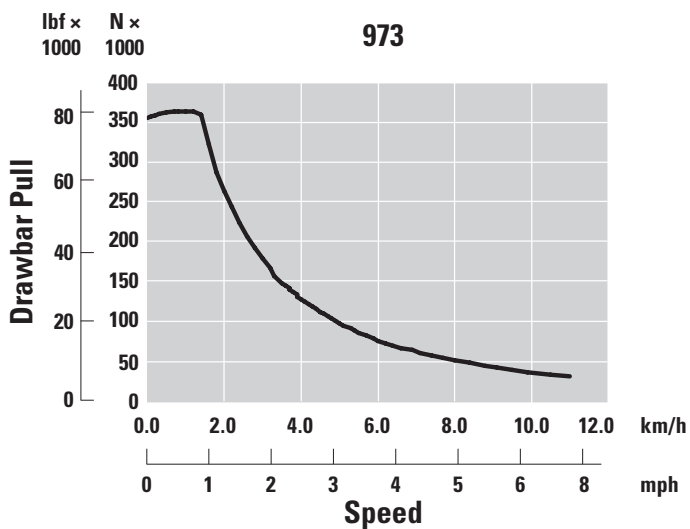
Implement System

| | |
|-------------------------|---|
| Description | Load sensing, variable displacement piston pump |
| Maximum Continuous Flow | 325 L/min 86 gal/min |
| Maximum Pressure | 27 500 kPa 3,988 psi |
| Filter System | Implement return filter |

Service Refill Capacities

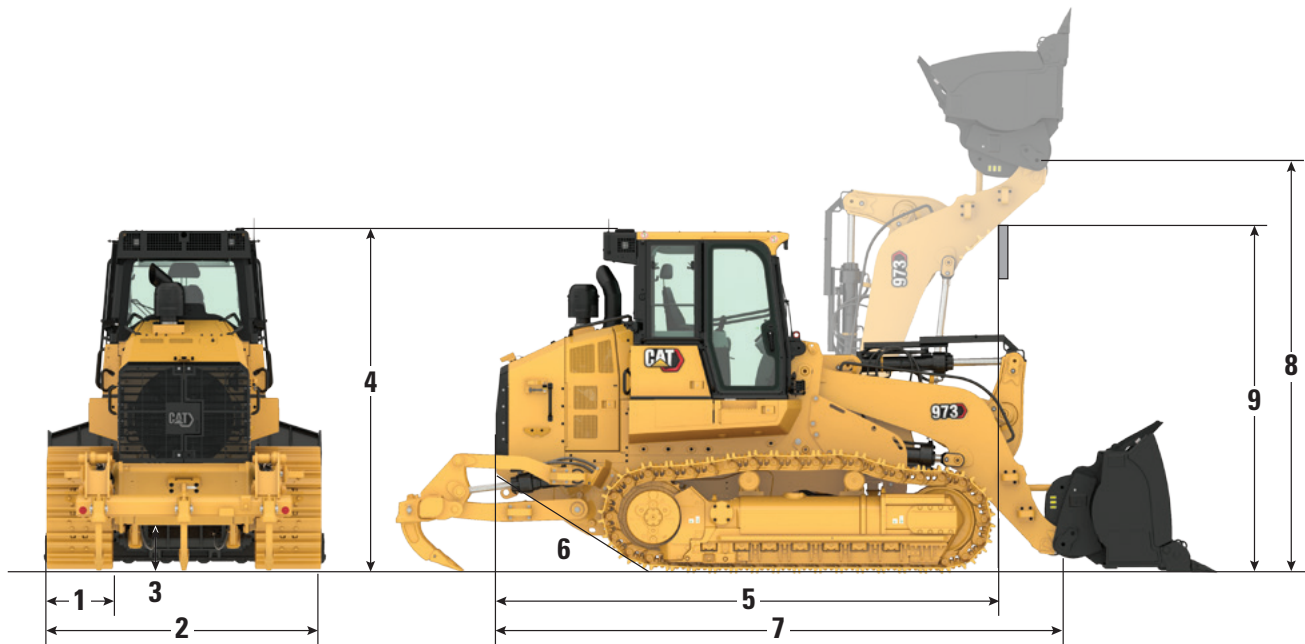
| | | |
|---|--------|----------|
| Fuel Tank | 450 L | 119 gal |
| Diesel Exhaust Fluid (DEF) Tank (when equipped) | 35 L | 9.2 gal |
| Cooling System | 44 L | 11.6 gal |
| Crankcase (with filter) | 26 L | 6.9 gal |
| Final Drive (each) | 28.5 L | 7.5 gal |
| Hydraulic Tank | 349 L | 92.2 gal |
| Pivot Shaft | 3 L | 0.8 gal |

Drawbar Pull



973 Track Loader Specifications

Weights and Dimensions



| | Standard | | Low Ground Pressure (LGP) | |
|-------------------------------|-----------|-----------|---------------------------|-----------|
| Operating Weight ¹ | 29 892 kg | 65,901 lb | 32 304 kg | 71,218 lb |
| Shipping Weight ² | 27 417 kg | 60,444 lb | 29 331 kg | 64,664 lb |
| 1 Track Shoe Width: | | | | |
| Narrow ³ | 550 mm | 22 in | — | — |
| Standard ³ | 675 mm | 27 in | — | — |
| Wide ³ | — | — | 830 mm | 33 in |
| Track Rollers – Each Side | 7 | | 7 | |
| Number of Shoes – Each Side | 40 | | 40 | |
| Track on Ground | 2930 mm | 115.3 in | 2930 mm | 115.3 in |
| Ground Pressure: | | | | |
| Standard Shoes | 65.8 kPa | 9.5 psi | 57.9 kPa | 8.4 psi |
| Narrow Shoes | 80.8 kPa | 11.7 psi | — | — |

¹Operating weight: machine with construction package, general purpose bucket with teeth and segments, Heavy Duty Extended Life undercarriage, aftertreatment system, lubricants, 100% fuel tank and 75 kg (165 lb) operator. For machines without aftertreatment, subtract 287 kg (632 lb).

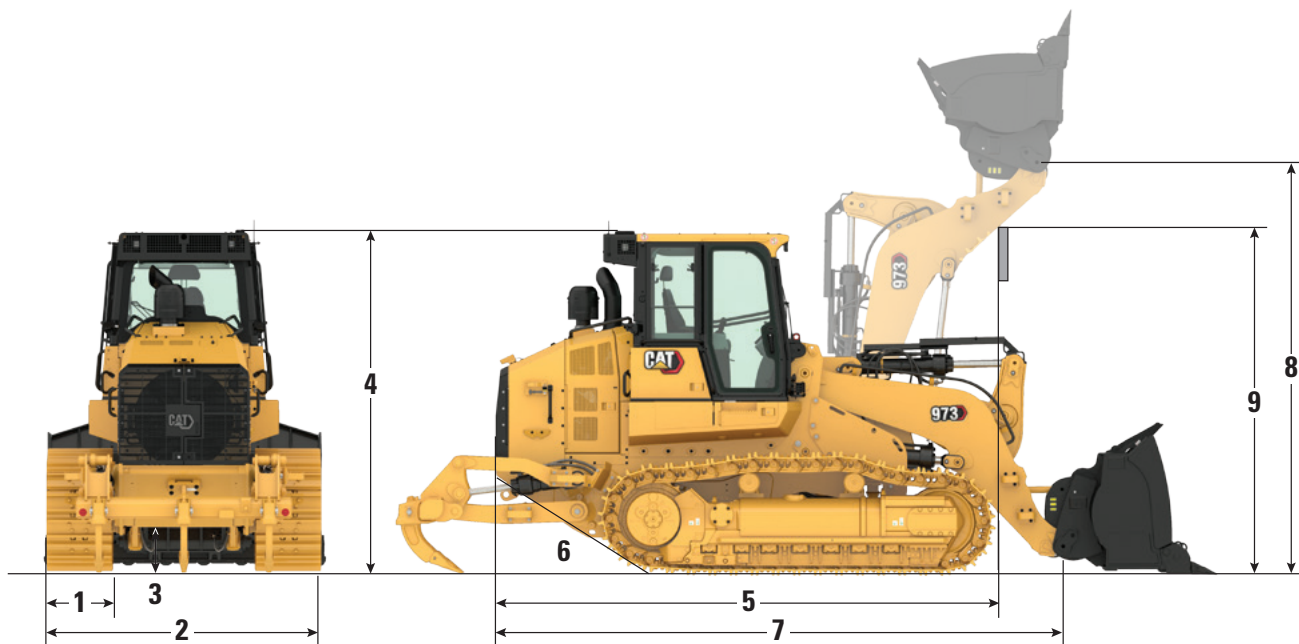
²Shipping weight: machine with construction package, Heavy Duty Extended Life undercarriage, aftertreatment system, lubricants, 10% fuel tank and no bucket. For machines without aftertreatment, subtract 287 kg (632 lb).

³Single or double grouser, with or without center holes.

(continued on next page)

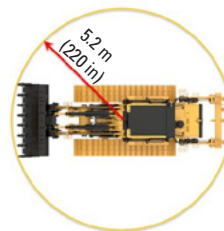
973 Track Loader Specifications

Weights and Dimensions (continued)



2 Overall Machine Width (without bucket):

| | | |
|--|---------|----------|
| With Narrow Tracks – 550 mm (22 in) Shoes | 2710 mm | 106.7 in |
| With Standard Tracks – 675 mm (27 in) Shoes | 2835 mm | 111.6 in |
| With Wide Gauge Tracks – 830 mm (33 in) Shoes | 3145 mm | 123.8 in |
| 3 Ground Clearance | 469 mm | 18.5 in |
| 4 Machine Height to Top of Cab | 3510 mm | 138.2 in |
| 5 Machine Length to Front of Tracks (including rear bumper) | 5318 mm | 209.4 in |
| with Ripper, Add | 803 mm | 31.6 in |
| 6 Ramp Angle | | 29° |
| 7 Overall Shipping Length (without bucket) | 6128 mm | 241.3 in |
| 8 Hinge Pin Height at Maximum Lift | 4218 mm | 166.1 in |
| 9 Lift Arm Clearance at Maximum Lift | 3667 mm | 144.4 in |
| Turning Radius | 5.2 m | 205 in |



Bucket and attachment offerings may vary. Please consult your Cat dealer for availability.

973 Track Loader Specifications

Work Tools and Couplers



Advansys™ Ground Engaging Tools

Cat track loader buckets come from the factory with Advansys™ bucket tips/adaptor/locking system. Advansys tips are built to give you maximum productivity and the lowest bucket lifecycle cost for your toughest applications.

- Cat Advansys offers a hammerless retention system, allowing for safe, fast removal and installation. Plus, the hammerless retention requires no special tools. Just turn the retainer 180° to install or remove the tips.
- Adapter design directs material flow over adapter strap, which can extend adapter service life and bucket lifecycle.
- Cast retention pin means no separate retention pin to buy or lose during tip replacements. The tip loads on the adapter nose, never putting the cast retention lugs under stress or wear.
- Cat Advansys bolt-on adapters are available for customers who want the versatility to switch between cutting edges when applications or environments change.

Got older track loader buckets? Wheel loader buckets? Mixed fleet? Advansys tips bring you added value because they can be adapted to fit any bucket in the industry.

Watch to learn more about easy installation of Advansys tips.

<https://www.youtube.com/watch?app=desktop&v=iiDYN9m3J-Y>

Cat Fusion™ Coupler

Cat Fusion™ couplers add increased versatility to your Cat loader with undiminished performance. Fusion is a system with a full complement of buckets, material handling arms, forks, and other attachments, equipping you to take on almost any job you can face.

Full Performance

- Full machine breakout force is available because the coupler adds zero offset.
- Provides the flexibility of a coupler with zero compromise of performance.
- The coupler sits inside the control arms, keeping the pivot point and load center nearly identical to pin-on tools.

Unsurpassed Durability

- Wedge mechanism stays tight even after thousands of cycles, eliminating wear and rattle, providing better tool control and productivity.
- Coupler and attachments last longer, reducing or eliminating repairs and replacement.
- Direct connection between the cylinder and wedge eliminates complex, failure-prone linkages.

Unmatched Versatility

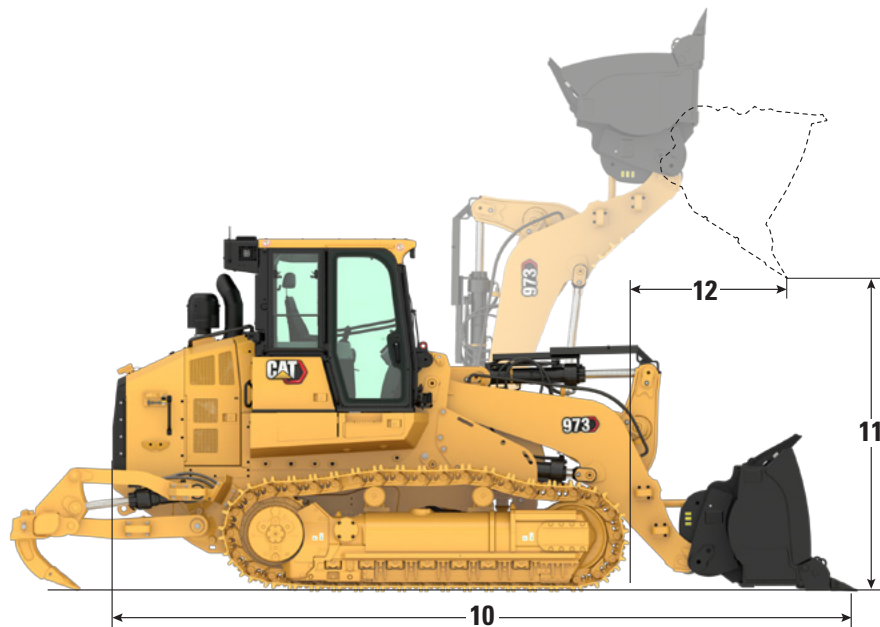
- Operator has full visibility to fork tines, thanks to an open frame design.
- The Fusion system includes:
 - Buckets (General Purpose, Multi-Purpose, Waste, Rock, Side Dump)
 - Blades
 - Construction forks
 - Material handling arms
- Fusion is a common interface, so multiple machines on your job can share tools as needed.

See how quickly you can change attachments with the Fusion coupler on your track loader: https://www.youtube.com/watch?v=ua7F26_k0Uw



973 Track Loader Specifications

Buckets



The Right Tool for the Job

All buckets can be used for digging, stump removal, loading, carrying, leveling, etc. Some buckets are more specialized:

Performance Buckets – optimized for loading and carrying

Multi-Purpose (MP) – buckets combine front shovel, clamshell, dozer and scraper capabilities.

Flat Floor Buckets – Leveling, loose material handling

For maximum versatility, the Fusion coupler is compatible with a range of buckets, forks, rakes, material handling arm and more. Consult with your Cat dealer for compatibility.

Cat Fusion General Purpose Buckets

| Cutting Edge Type | Long Teeth & Segments | | Wide Long Teeth & Segments | |
|--|-----------------------|---------------------|----------------------------|---------------------|
| | | | | |
| Bucket Weight | 2414 kg | 5,322 lb | 2416 kg | 5,324 lb |
| Bucket Width | 3015 mm | 118.7 in | 3361 mm | 132.3 in |
| Rated Capacity at 100% Fill Factor ¹ | 3.2 m ³ | 4.2 yd ³ | 3.4 m ³ | 4.4 yd ³ |
| Rated Operating Capacity ² | 7938 kg | 17,500 lb | 8509 kg | 18,759 lb |
| Static Tipping Load ³ | 22 680 kg | 50,001 lb | 24 312 kg | 53,599 lb |
| 10 Overall Machine Length (bucket on the ground) | 7634 mm | 301 in | 7657 mm | 301 in |
| 11 Dump Clearance at Maximum Lift and 45° Discharge | 2909 mm | 114.5 in | 2927 mm | 115.2 in |
| 12 Reach at Maximum Lift and 45° Discharge | 1442 mm | 56.8 in | 1487 mm | 58.5 in |
| Breakout Force | 209 940 N | 47,196 lbf | 231 128 N | 51,960 lbf |

¹Volumetric bucket capacity as per ISO 7546:1983.

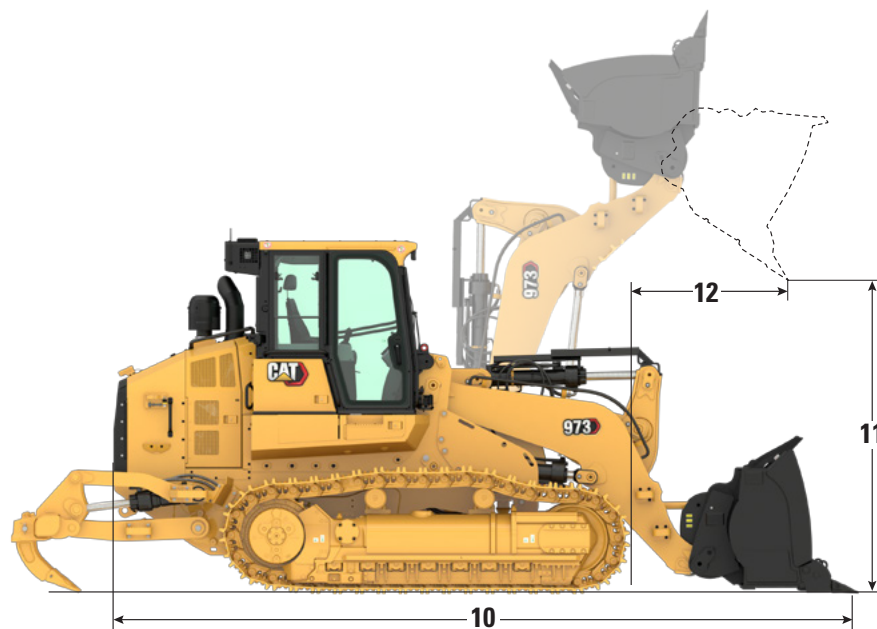
²Rated Operating Capacity should be considered with 35% Static Tipping Load as required by ISO 14397-1:2007.

³Machine equipped with standard and additional counterweights or ripper.

(continued on next page)

973 Track Loader Specifications

Buckets (continued)



| Pin-On Buckets | General Purpose Buckets* | | Performance Bucket** | | | Multi-Purpose Bucket** |
|---|--|--|--|--|--|--|
| | Long Teeth & Segments | Bolt-On Full Edge | Long Teeth & Segments | Welded Flush Adapters, Long Teeth | Wide – Welded Flush Adapters, Long Teeth | Long Teeth & Segments |
| Bucket Weight | 2151 kg (4,742 lb) | 1969 kg (4,341 lb) | 2645 kg (5,831 lb) | 2441 kg (5,381 lb) | 2641 kg (5,822 lb) | 3390 kg (7,474 lb) |
| Bucket Width | 3010 mm (118.5 in) | 3005 mm (118.3 in) | 3015 mm (118.7 in) | 3005 mm (118.3 in) | 3361 mm (132.3 in) | 2961 mm (116.6 in) |
| Rated Capacity at 100% Fill Factor ¹ | 3.2 m ³ (4.2 yd ³) | 3.2 m ³ (4.2 yd ³) | 3.8 m ³ (5.0 yd ³) | 3.6 m ³ (4.7 yd ³) | 4.0 m ³ (5.2 yd ³) | 3.0 m ³ (3.9 yd ³) |
| Rated Capacity at 110% Fill Factor | — | — | 4.2 m ³ (5.5 yd ³) | 4.0 m ³ (5.2 yd ³) | 4.4 m ³ (5.8 yd ³) | — |
| Rated Operating Capacity ² | 7795 kg (17,185 lb) | 7888 kg (17,390 lb) | 8980 kg (19,798 lb) | 9080 kg (20,018 lb) | 9173 kg (20,223 lb) | 8716 kg (19,215 lb) |
| Static Tipping Load | 22 272 kg (49,101 lb) | 22 537 kg (49,686 lb) | 25 658 kg (56,566 lb) | 25 943 kg (57,195 lb) | 26 208 kg (57,779 lb) | 24 903 kg (54,902 lb) |
| 10 Overall Machine Length (bucket on the ground) | 7492 mm (295 in) | 7496 mm (295 in) | 7544 mm (297 in) | 7550 mm (297 in) | 7550 mm (297 in) | 7748 mm (305 in) |
| 11 Dump Clearance at Maximum Lift and 45° Discharge | 3025 mm (119.1 in) | 3039 mm (119.6 in) | 2972 mm (117 in) | 2993 mm (117.8 in) | 2993 mm (117.8 in) | 2814 mm (110.8 in) |
| 12 Reach at Maximum Lift and 45° Discharge | 1352 mm (53.2 in) | 1382 mm (54.4 in) | 1387 mm (54.6 in) | 1430 mm (56.3 in) | 1430 mm (56.3 in) | 1425 mm (56.1 in) |
| Breakout Force | 248 300 N (55,820 lbf) | 273 100 N (61,395 lbf) | 232 800 N (52,336 lbf) | 254 700 N (57,259 lbf) | 253 800 N (57,057 lbf) | 205 900 N (46,288 lbf) |

*Machine equipped with no counterweight.

**Machine equipped with standard and additional counterweights or ripper.

¹Volumetric bucket capacity as per ISO 7546:1983.

²Rated Operating Capacity should be considered with 35% Static Tipping Load as required by ISO 14397-1:2007.

973 Track Loader Specifications

Track

| Track Shoe Width – Heavy Duty Sealed and Lubricated | Grousers | Features |
|---|---------------------------|--------------------------------|
| 550 mm (22 in) | Double | |
| 675 mm (27 in) | Double | |
| 500 mm (20 in) | Double | Center Hole |
| 510 mm (20 in) | Single | Center Hole Extreme Service |
| 675 mm (27 in) | Single | Center Hole |
| 675 mm (27 in) | Double | Center Hole |
| 830 mm (33 in) | Double | Wide Gauge |
| 500 mm (20 in) | Double | Steel Mill |
| 500 mm (20 in) | Flat | Steel Mill |
| 500 mm (20 in) | Triple | Steel Mill |
| 500 mm (20 in) | Alternate Flat and Double | Steel Mill |

Ripper

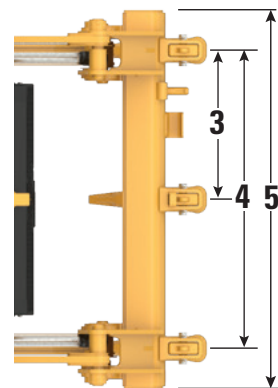
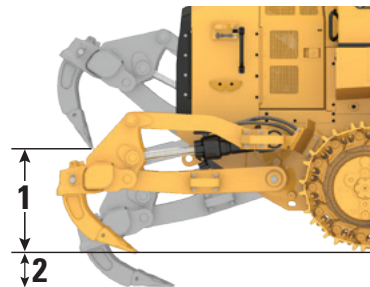
| Type | Parallelogram | |
|---|----------------|-----------------|
| Weight (with three shanks) | 1700 kg | 3,748 lb |
| 1 Maximum Clearance Raised (shank tip) | 888 mm | 35 in |
| 2 Maximum Penetration | 397 mm | 15.6 in |
| 3 Pocket Spacing | 867 mm | 34.1 in |
| 4 Shank Gauge | 1734 mm | 68.2 in |
| 5 Overall Ripping Width | 2200 mm | 86.6 in |
| Shank Cross Section | 74 mm × 175 mm | 2.9 in × 6.9 in |
| Maximum Penetration Force | 146 kN | 32,822 lbf |

Grouser Selection

Single Grouser – maximizes shredding effect

Double Grouser – best balance of traction and maneuverability

Center Holes – Helps reject material, helping to reduce build-up and added track tension.



Standards

ROPS/FOPS

- ROPS (Rollover Protective Structure) offered by Caterpillar for the machine meets ROPS criteria ISO 3471:2008.
- FOPS (Falling Object Protective Structure) meets ISO 3449:2005 Level II.

Brakes

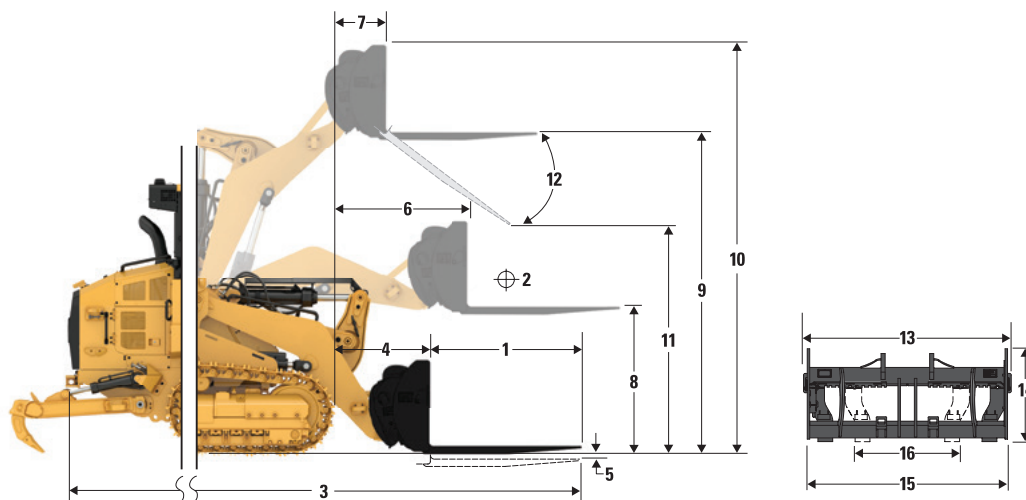
- Brakes meet the standard ISO 10265:2008.

Sound and Vibration Information

- The declared dynamic operator sound pressure level is 75 dB(A) when “ISO 6396:2008” is used to measure the value for an enclosed cab. The measurements were conducted at 70% of the maximum engine cooling fan speed. The sound level may vary at different engine cooling fan speeds. The cab was properly installed and maintained. The measurements were conducted with the cab doors and the cab windows closed. NOTE: The dynamic operator sound pressure level uncertainty is ± 2 dB(A).
- Hearing protection may be needed when the machine is operated with an open operator station for extended periods, in a noisy environment or with a cab that is not properly maintained.
- The guaranteed exterior sound power level is 111 dB(A) when the value is measured according to the dynamic test procedures and the conditions that are specified in “ISO 6395:2008.” The measurements were conducted at 70% of the maximum engine cooling fan speed. The sound level may vary at different engine cooling fan speeds.
- Sound level information for machines in European Union countries and in countries that adopt the “EU Directives”: If equipped, the certification label is used to verify the environmental sound certification of the machine to the requirements of the European Union. The value that is listed on the label indicates the guaranteed exterior sound power level (L_{WA}) at the time of manufacture for the conditions that are specified in “2000/14/EC.”

973 Track Loader Specifications

Operating Specifications with Pallet Forks



Note: 963 model shown.

| 973 Track Loader* | 72-in Tines | | 84- in Tines | | 96-in Tines | |
|---|-------------|-----------|--------------|-----------|-------------|-----------|
| | mm | in | mm | in | mm | in |
| 1 Tine Length | 1829 | 72 | 2134 | 84 | 2438 | 96 |
| 2 Load Center | 914 | 36 | 1067 | 42 | 1219 | 48 |
| 3 Maximum Overall Length | 8935 | 352 | 9244 | 364 | 9550 | 376 |
| 4 Reach with Forks at Ground Level | 1375 | 54 | 1375 | 54 | 1375 | 54 |
| 5 Dig Depth | -69 | -3 | -69 | -3 | -69 | -3 |
| 6 Reach with Arms Horizontal and Fork Level | 1954 | 77 | 1954 | 77 | 1954 | 77 |
| 7 Reach with Fork at Maximum Height | 1134 | 45 | 1134 | 45 | 1134 | 45 |
| 8 Ground to Top of Tine with Arms Horizontal | 1931 | 76 | 1931 | 76 | 1931 | 76 |
| 9 Ground to Top of Tine at Maximum Height and Fork Level | 4073 | 160 | 4073 | 160 | 4073 | 160 |
| 10 Overall Height of Fork at Full Lift (top of carriage to ground) | 5117 | 201 | 5117 | 201 | 5117 | 201 |
| 11 Clearance at Full Lift and Maximum Dump | 2240 | 88 | 2008 | 79 | 1775 | 70 |
| 12 Maximum Discharge Angle from Horizontal | | -50 | | -50 | | -50 |
| 13 Overall Carriage Width | 2821 | 111 | 2821 | 111 | 2821 | 111 |
| 14 Overall Carriage Height | 1129 | 44 | 1129 | 44 | 1129 | 44 |
| 15 Outside Tine Width (maximum spread) | 2627 | 103 | 2627 | 103 | 2627 | 103 |
| 16 Outside Tine Width (minimum spread) | 747 | 29 | 747 | 29 | 747 | 29 |
| Tine Width (single tine) | 250 | 10 | 250 | 10 | 250 | 10 |
| Tine Thickness | 85 | 3 | 90 | 4 | 90 | 4 |
| | kg | lb | kg | lb | kg | lb |
| Tine Load Capacity (Per Pair) | 18 700 | 41,226 | 17 716 | 39,057 | 15 750 | 34,722 |
| Static Tipping Load Arm Horizontal and Fork Level | 13 645 | 30,081 | 12 890 | 28,417 | 12 237 | 26,979 |
| Static Lifting Capacity Arm Horizontal and Fork Level | 19 084 | 42,072 | 18 820 | 41,490 | 18 597 | 40,999 |
| Rated Load (SAE J1197)** | 4776 | 10,528 | 4512 | 9,946 | 4283 | 9,443 |

*Construction configuration with 675 mm (27 in) heavy duty tracks, standard counterweight (1700 kg/3,748 lb) or ripper.

**For crawler loaders, 35% of the tipping load or 100% of the lifting capacity, whichever is less. (SAE J1197:2011, EN-474-3:2010, ISO 14397-1:2007).

Standard and Optional Equipment

Standard and optional equipment may vary. Consult your Cat dealer for details.

| | Standard | Optional | | Standard | Optional |
|--|----------|----------|---|----------|----------|
| POWER TRAIN | | | OPERATOR ENVIRONMENT | | |
| Cat C9.3B diesel engine with engine-mounted aftertreatment to meet U.S. EPA Tier 4 Final, EU Stage V, Korea Stage V, China Nonroad Stage IV, Japan 2014 emission standards | | ✓ | Standard cab with one sliding side window and four halogen lights: two facing forward, roof mounted, two facing rearward, integrated in the air conditioner unit | ✓ | |
| Cat C9.3B diesel engine to meet Eurasian Economic Union Stage IIIA, UN ECE R96 Stage IIIA emission standards, equivalent to Tier 3/Stage IIIA | | ✓ | Deluxe cab package with two sliding side windows and eight LED lights: four roof-mounted facing forward, two facing rearward and two facing side integrated in the air conditioner unit | | ✓ |
| Engine turbocharger | ✓ | | Steel Mill cab with thermal protection, all sealed windows, windshield and front light protection, eight halogen lights: four facing forward, two facing sideways, two facing rearward integrated into air conditioner unit | | ✓ |
| Air-To-Air After Cooler (ATAAC) | ✓ | | Deluxe high back seat – heated, with adjustable shock control | | ✓ |
| Modular cooling system for engine air intake, oil and water | ✓ | | Premium Plus high back seat – heated and cooled, lockable side-side isolator | | ✓ |
| Hydraulic demand fan – electronically controlled, temperature sensing | ✓ | | Adjustable armrests | ✓ | |
| Hydraulic fan, non-reversing | | ✓ | Electro-Hydraulic, seat mounted control levers with faster processing | ✓ | |
| Hydraulic fan, reversing | | ✓ | V-pattern and pedal steering controls | | ✓ |
| Electro Hydrostatic Control (EHC) for transmission | ✓ | | Joystick steering controls | | ✓ |
| Engine idle shutdown | ✓ | | Joystick implement control | | ✓ |
| Auto engine speed control | ✓ | | Two-lever implement control | | ✓ |
| Electric fuel pump | ✓ | | Seat belt, retractable, with buckling indicator on dash | ✓ | |
| Water separator | ✓ | | Four-point restraint ready seat | ✓ | |
| Engine air cleaner | ✓ | | Air conditioning and heating | ✓ | |
| Engine air precleaner | ✓ | | Heater/defroster with automatic temperature control and automatic blower control | ✓ | |
| UNDERCARRIAGE | | | Cab air powered precleaner | | ✓ |
| Heavy Duty Extended Life (HDXL) track | ✓ | | Rearview mirror, inside, adjustable | ✓ | |
| Oscillating track roller frames | ✓ | | | | |
| Track guiding guards, end section | ✓ | | | | |
| Hydraulic track adjuster | ✓ | | | | |
| Sprocket rims with replaceable bolt-on tough steel segments | ✓ | | | | |
| Sprocket guards | ✓ | | | | |
| Seven track rollers per side, with two upper carrier rollers, lifetime lubricated | ✓ | | | | |
| Idlers, conventional type, lifetime lubricated | ✓ | | | | |

(continued on next page)

973 Standard and Optional Equipment

Standard and Optional Equipment *(continued)*

Standard and optional equipment may vary. Consult your Cat® dealer for details.

| | Standard | Optional | | Standard | Optional |
|--|----------|----------|--|----------|----------|
| OPERATOR ENVIRONMENT <i>(continued)</i> | | | OTHER STANDARD EQUIPMENT | | |
| 24V Radio ready. Includes speakers, antenna and 12V power outlet and 5V USB port | ✓ | | Durable metal fender | ✓ | |
| Radio – FM Ready Kit | | ✓ | Exterior sound suppression | ✓ | |
| Radio – Bluetooth® & Aux & Mic | | ✓ | Load sensing implement pump with variable displacement | ✓ | |
| Radio – Bluetooth & Aux & Mic – Dab+ | | ✓ | Z-bar loader linkage | ✓ | |
| Radio – Bluetooth & Aux & Mic – Sirius | | ✓ | Implement cylinders with sensors | ✓ | |
| Parking brake switch and “brake-on” indicator light | ✓ | | Engine enclosure with lockable doors | ✓ | |
| Implement lock-out switch | ✓ | | Debris resistant radiator core (six fins-per-inch) | ✓ | |
| High Definition rearview camera | ✓ | | Hinged radiator guard and swing out fan | ✓ | |
| 254 mm (10 in) color touchscreen display with integrated rear camera display, machine slope indicator and bucket angle indicator | ✓ | | 4 × 2 easy tie-down points on chassis | ✓ | |
| Three selectable working modes (Auto, Power, Eco) | ✓ | | FEATURE PACKAGES | | |
| Configurable implement levers | ✓ | | Low Ground Pressure (LGP) Arrangement | | ✓ |
| Operator programmable lift and tilt kickouts | ✓ | | Waste Handler Package | | ✓ |
| Machine Pitch and Roll indicate | ✓ | | Extreme Service Waste/Demolition Package | | ✓ |
| Bucket angle indicate | ✓ | | Enhanced Cleaning Waste Package | | ✓ |
| Bucket shake | ✓ | | Ship Hold Package | | ✓ |
| Remote services (Troubleshoot/Remote Flash) | | ✓ | Steel Mill Package | | ✓ |
| Heavy-duty rubber floor mat | ✓ | | GUARDING | | |
| Windshield washers and wipers, multiple speed, front and rear | ✓ | | Full bottom guards | ✓ | |
| Durable metal roof | ✓ | | Idler guard (none) | | ✓ |
| Coat hook | ✓ | | Idler guard | | ✓ |
| Storage compartments under left armrest | | ✓ | Idler guard – ship hold | | ✓ |
| Lunch box storage with strap holder | ✓ | | Front light guard | | ✓ |
| Document holder on right console | ✓ | | Windshield guard | | ✓ |
| ELECTRICAL | | | Tilt cylinder guard | | ✓ |
| Ground Level Service Center | ✓ | | Two-piece final drive guard | | ✓ |
| 24 volt heavy-duty brushless alternator | ✓ | | Three-piece final drive guard | | ✓ |
| Backup alarm | ✓ | | Final drive bottom guard | | ✓ |
| Two horns | ✓ | | Track roller guard | | ✓ |
| Two heavy-duty batteries, high output, maintenance free, 1,400 CCA | ✓ | | | | |
| Main disconnect switch | ✓ | | | | |
| Electric starter (heavy-duty, 24 volt) | ✓ | | | | |
| Extra lighting – two additional LED lights at the bottom of cab facing forward | | ✓ | | | |
| LED flashing beacon | | ✓ | | | |

(continued on next page)

Standard and Optional Equipment (continued)

Standard and optional equipment may vary. Consult your Cat dealer for details.

| | Standard | Optional | | Standard | Optional |
|---|----------|----------|--|----------|----------|
| WORK TOOLS* | | | MAINTENANCE | | |
| Buckets: | | | Standard lubricant | | ✓ |
| Pin-On General Purpose – Standard duty – 3.0 – 3.6 m ³ (3.9 – 4.7 yd ³) | | ✓ | Bio lubricant | | ✓ |
| Fusion General Purpose – Standard duty – 3.2 m ³ (4.2 yd ³) | | ✓ | Ecosafe lubricant (steel mill) | | ✓ |
| Pin-On General Purpose – Heavy duty – 3.6 – 3.8 m ³ (4.7 – 5.0 yd ³) | | ✓ | Cat extended life coolant | ✓ | |
| Pin-On Multi-Purpose – Standard duty – 3.0 m ³ (3.9 yd ³) | | ✓ | Underhood light | ✓ | |
| Pin-On Multi-Purpose – Heavy duty – 3.0 m ³ (3.9 yd ³) | | ✓ | Service package | | ✓ |
| Pin-On General Purpose Waste – Heavy duty – 4.9 m ³ (6.4 yd ³) | | ✓ | Extended service package – manual hydraulic system enabling cab tilt and lock at 30 degrees safely in the field, shovel holder bracket (shovel not included) | | ✓ |
| Pin-On Multi-Purpose Waste – Standard duty – 4.6 m ³ (6 yd ³) | | ✓ | High speed oil change | | ✓ |
| Pin-On General Purpose Flat Floor – Heavy duty 3.6 – 4 m ³ to (4.7 – 5.2 yd ³) | | ✓ | Ecology drains on hydraulic oil tank | ✓ | |
| Pin-On Side Dump – Standard duty – 2.3 m ³ (3 yd ³) | | ✓ | Oil sampling valves | ✓ | |
| No bucket | | ✓ | Cat XT™ hoses | ✓ | |
| Other Work Tools: | | | HYDO™ Advanced 10 | ✓ | |
| Pin-On Trim Blade (Shiphold) – 3.6 m ³ (4.7 yd ³) | | ✓ | Implement oil return filter in hydraulic tank | ✓ | |
| Pin-On Fork carriage – 2743 mm (108 in) | | ✓ | Hystat drain return filter in hydraulic tank | ✓ | |
| Pin-On Rock Spade – Heavy duty – 3.4 m ³ (4.5 yd ³) | | ✓ | | | |
| Fusion Material Handling Arm – 3125 – 4645 mm (123 – 183 in) | | ✓ | REAR ATTACHMENTS | | |
| | | | Bumper | | ✓ |
| | | | Ripper | | ✓ |
| | | | No bumper | | ✓ |
| | | | Ripper hitch | | ✓ |
| | | | Striker bars | | ✓ |
| | | | COUNTERWEIGHTS | | |
| | | | Counterweight 1670 kg (3,682 lb) | | ✓ |
| | | | Counterweight for rear HD bumper 400 kg (882 lb) | | ✓ |
| | | | OTHER EQUIPMENT | | |
| | | | Access package | | ✓ |
| | | | Jacket water heater (110V) and ether starting aid | | ✓ |
| | | | Jacket water heater (240V) and ether starting aid | | ✓ |
| | | | Fusion Quick Coupler | | ✓ |
| | | | TECHNOLOGY PRODUCTS | | |
| | | | Product Link™ ready | ✓ | |
| | | | Product Link cellular | | ✓ |
| | | | Product Link dual (cellular and satellite) | | ✓ |
| | | | Cat Payload | | ✓ |
| | | | Grade Control mast | | ✓ |
| <p>Note: All buckets (excluding Slag and General Purpose with full bolted cutting edge) feature Advansys Ground Engaging Tools.</p> | | | | | |
| HYDRAULICS | | | | | |
| Two-valve hydraulics, two-lever | | ✓ | | | |
| Two-valve hydraulics, joystick | | ✓ | | | |
| Three-valve hydraulics, front, joystick | | ✓ | | | |
| Three-valve hydraulics, rear, joystick | | ✓ | | | |
| Three-valve hydraulics, rear, two-lever | | ✓ | | | |
| Four-valve hydraulics, front and rear, joystick | | ✓ | | | |
| Standard hydraulic lines | | ✓ | | | |
| Quick coupler hydraulic lines | | ✓ | | | |
| FUEL TANK | | | | | |
| Metallic Fuel tank | ✓ | | | | |
| Fast Fill fuel tank | | ✓ | | | |
| Insulated metallic fuel tank (Steel Mill) | | ✓ | | | |
| Fuel tank refilling pump | | ✓ | | | |
| Sediment hand pump | | ✓ | | | |

*Bucket and attachment offerings may vary. Please consult your Cat dealer for availability.

973 Environmental Declaration

The following information applies to the machine at the time of final manufacture as configured for sale in the regions covered in this document. The content of this declaration is valid as of the date issued; however, content related to machine features and specifications are subject to change without notice. For additional information, please see the machine's Operation and Maintenance Manual.

For more information on sustainability in action and our progress, please visit <https://www.caterpillar.com/en/company/sustainability>.

Engine

- The Cat C9.3B engine meets U.S. EPA Tier 4 Final, EU Stage V, Korea Stage V, China Nonroad Stage IV and Japan 2014 emission standards or Eurasian Economic Union Stage IIIA, UN ECE R96 Stage IIIA emission standards, equivalent to U.S. EPA Tier 3/EU Stage IIIA.
- Cat U.S. EPA Tier 4 Final, EU Stage V, Korea Stage V, China Nonroad Stage IV, Japan 2014 engines are required to use ULSD (ultra-low sulfur diesel fuel with 15 ppm of sulfur or less) or ULSD blended with the following lower-carbon intensity fuels up to:
 - ✓ 20% biodiesel FAME (fatty acid methyl ester)*
 - ✓ 100% renewable diesel, HVO (hydrotreated vegetable oil) and GTL (gas-to-liquid) fuels

Cat engines meeting Eurasian Economic Union Stage IIIA, UN ECE R96 Stage IIIA emission standards, equivalent to U.S. EPA Tier 3/ EU Stage IIIA, are compatible with diesel fuel blended with the following lower-carbon intensity fuels up to:

- ✓ 100% biodiesel FAME (fatty acid methyl ester)**
- ✓ 100% renewable diesel, HVO (hydrotreated vegetable oil) and GTL (gas-to-liquid) fuels

Refer to guidelines for successful application. Please consult your Cat dealer or "Caterpillar Machine Fluids Recommendations" (SEBU6250) for details.

**Engines with no aftertreatment devices can use higher blends, up to 100% biodiesel (For use of blends higher than 20% biodiesel, consult your Cat dealer).*

***For use of blends higher than 20% biodiesel, consult your Cat dealer.*

Air Conditioning System

- The air conditioning system on this machine contains the fluorinated greenhouse gas refrigerant R134a (Global Warming Potential = 1430). The system contains 1.1 kg of refrigerant which has a CO₂ equivalent of 1.573 metric tonnes.

Paint

- Based on best available knowledge, the maximum allowable concentration, measured in parts per million (PPM), of the following heavy metals in paint are:
 - Barium < 0.01%
 - Cadmium < 0.01%
 - Chromium < 0.01%
 - Lead < 0.01%

Sound Performance

With cooling fan speed at 70% of maximum value:

Operator Sound Pressure Level (ISO 6396:2008) – 75 dB(A)

Exterior Sound Power Level (ISO 6395:2008) – 111 dB(A)

- The sound level may vary at different engine cooling fan speeds. The cab was properly installed and maintained. The measurements were conducted with the cab doors and the cab windows closed. NOTE: The dynamic operator sound pressure level uncertainty is ± 2 dB(A).
- Hearing protection may be needed when operating with an open operator station and cab (when not properly maintained or doors/windows open) for extended periods or in a noisy environment.

Oils and Fluids

- Caterpillar factory fills with ethylene glycol coolants. Cat Diesel Engine Antifreeze/Coolant (DEAC) and Cat Extended Life Coolant (ELC) can be recycled. Consult your Cat dealer for more information.
- Cat Bio HYDO™ Advanced is an EU Ecolabel approved biodegradable hydraulic oil.
- Additional fluids are likely to be present, please consult the Operations and Maintenance Manual or the Application and Installation guide for complete fluid recommendations and maintenance intervals.

Features and Technology

- The 973 uses up to 10% less fuel per hour than the 973K. The following features and technology may contribute to fuel savings and/or carbon reduction. Features may vary. Consult your Cat dealer for details.
 - Eco mode minimizes fuel consumption for light applications
 - Emissions reduction technology (when equipped) works in the background, with no action required from the operator
 - Remotely monitor fuel consumption, machine health, location, and hours on demand through Product Link™ and VisionLink®
 - Hydraulic demand fan reduces speed in cooler conditions to conserve power, save fuel and decrease sound levels
 - Remote Flash and Remote Troubleshoot



973

Track Loader Waste Handler/Demolition

A Waste Handler can take on a variety of tasks in a landfill or transfer station. Use it for pushing, shredding and pre-compacting waste. For added versatility, track loaders are also ideal for creating and maintaining access, digging cells and digging/carrying/spreading cover material.

Top Performer

- 973 uses up to 10% less fuel per hour than the previous model.
- Updated cab offers more comfort and an intuitive 10-inch (254 mm) touchscreen dash display.
- Standard High Definition rearview camera shows prominently in the main display.
- Excellent visibility to the bucket and all around the machine enhances safety and helps operators work more confidently.

Waste Handler

- Specialized guarding, and seals help protect the machine and components from impact and airborne debris.
- Final Drive guarding helps prevent wrapping and seal damage.
- High debris cooling system with reversing demand fan.
- Laminated thermal shields and insulated clean emissions module (when equipped) standard for all Waste Handler.
- Specialized air handling features help deliver cleaner air to the machine.
- Bars help protect windshield and operator from breakage and debris. Cab door guards offer added protection.
- Choice of buckets and track shoes allow you to further optimize the machine for greater performance and service life.

Note: 963 Waste Handler model shown.

Enhanced Cleaning Waste Handler

- Helps reduce your clean-out time while adding ground pressure for more compaction.
- Wide gauge undercarriage equipped with a standard track width allows more space for debris to pass between the track roller frame, tracks and chassis.
- With less debris build-up, you spend less time cleaning.
- Helps reduce damage caused by debris carried on the tracks.
- Heavier waste configuration combined with narrower track shoes increases ground pressure for greater compaction.
- Screen helps protect windshield and operator from breakage and debris.
- Powered cab air precleaner.

Extreme Service Waste Handler or Demolition

- Ideal for transfer stations or demolition job sites.
- Added guarding, beyond the Waste Handler package, on lift and tilt cylinders.
- Screen helps protect windshield and operator from breakage and debris.
- Heavy duty bumper and hitch.
- Striker bars.
- Powered cab air precleaner.

973 Track Loader – Waste Handler/Demolition Specifications

Engine

| | | |
|--------------------------|--|---------------------|
| Engine Model | Cat® C9.3B | |
| Emissions | Meets U.S. EPA Tier 4 Final, EU Stage V, Korea Stage V, China Nonroad Stage IV, Japan 2014 emission standards or Eurasian Economic Union Stage IIIA, UN ECE R96 Stage IIIA emission standards, equivalent to U.S. EPA Tier 3/ EU Stage IIIA. | |
| Net Power (1,800 rpm) | | |
| ISO 9249/SAE J1349 | 205 kW | 275 hp |
| ISO 9249 (DIN) | 279 mhp | |
| Engine Power (1,800 rpm) | | |
| ISO 14396 | 228 kW | 306 hp |
| ISO 14396 (DIN) | 310 mhp | |
| Bore | 115 mm | 4.5 in |
| Stroke | 149 mm | 5.9 in |
| Displacement | 9.3 L | 567 in ³ |

- Net power advertised is the power available at the engine flywheel when the engine is equipped with a fan, air cleaner, clean emissions module and alternator.
- Advertised power is tested per the specified standard in effect at the time of manufacture.
- No derating required up to 2743 m (9,000 ft) altitude.
- Cat® U.S. EPA Tier 4 Final, EU Stage V, Korea Stage V, China Nonroad Stage IV, Japan 2014 engines are required to use ULSD (ultra-low sulfur diesel fuel with 15 ppm of sulfur or less) or ULSD blended with the following lower-carbon intensity fuels up to:
 - ✓ 20% biodiesel FAME (fatty acid methyl ester)*
 - ✓ 100% renewable diesel, HVO (hydrotreated vegetable oil) and GTL (gas-to-liquid) fuels

Cat engines meeting Eurasian Economic Union Stage IIIA, UN ECE R96 Stage IIIA emission standards, equivalent to U.S. EPA Tier 3/ EU Stage IIIA, are compatible with diesel fuel blended with the following lower-carbon intensity fuels up to:

- ✓ 100% biodiesel FAME (fatty acid methyl ester)**
- ✓ 100% renewable diesel, HVO (hydrotreated vegetable oil) and GTL (gas-to-liquid) fuels

Refer to guidelines for successful application. Please consult your Cat dealer or “Caterpillar Machine Fluids Recommendations” (SEBU6250) for details.

**Engines with no aftertreatment devices can use higher blends, up to 100% biodiesel (For use of blends higher than 20% biodiesel, consult your Cat dealer).*

***For use of blends higher than 20% biodiesel, consult your Cat dealer.*

Air Conditioning

The air conditioning system on this machine contains the fluorinated greenhouse gas refrigerant R134a (Global Warming Potential = 1430). The system contains 1.1 kg of refrigerant which has a CO₂ equivalent of 1.573 metric tons.

Drive System

| | |
|-------------------------|---|
| Description | Electronically controlled Hydrostatic drive with two variable displacement bent axis motors and two variable displacement slipper-type axial piston pumps |
| Travel Speed | Infinite variable speed from 0 to 11 km/h (0 to 6.8 mph) |
| Maximum System Pressure | 45 000 kPa 6,527 psi |

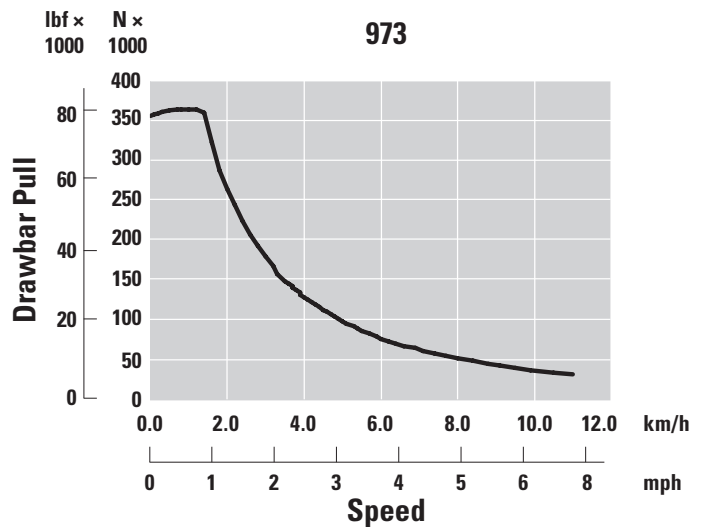
Implement System

| | |
|-------------------------|---|
| Description | Load sensing, variable displacement piston pump |
| Maximum Continuous Flow | 325 L/min 86 gal/min |
| Maximum Pressure | 27 500 kPa 3,988 psi |
| Filter System | Implement return filter |

Service Refill Capacities

| | | |
|---|--------|----------|
| Fuel Tank | 450 L | 119 gal |
| Diesel Exhaust Fluid (DEF) Tank (when equipped) | 35 L | 9.2 gal |
| Cooling System | 44 L | 11.6 gal |
| Crankcase (with filter) | 26 L | 6.9 gal |
| Final Drive (each) | 28.5 L | 7.5 gal |
| Hydraulic Tank | 349 L | 92.2 gal |
| Pivot Shaft | 3 L | 0.8 gal |

Drawbar Pull



973 Track Loader – Waste Handler/Demolition Specifications

Standards

ROPS/FOPS

- ROPS (Rollover Protective Structure) offered by Caterpillar for the machine meets ROPS criteria ISO 3471:2008.
- FOPS (Falling Object Protective Structure) meets ISO 3449:2005 Level II.

Brakes

- Brakes meet the standard ISO 10265:2008.

Sound and Vibration Information

- The declared dynamic operator sound pressure level is 75 dB(A) when “ISO 6396:2008” is used to measure the value for an enclosed cab. The measurements were conducted at 70% of the maximum engine cooling fan speed. The sound level may vary at different engine cooling fan speeds. The cab was properly installed and maintained. The measurements were conducted with the cab doors and the cab windows closed. NOTE: The dynamic operator sound pressure level uncertainty is ± 2 dB(A).
- Hearing protection may be needed when the machine is operated with an open operator station for extended periods, in a noisy environment or with a cab that is not properly maintained.
- The guaranteed exterior sound power level is 111 dB(A) when the value is measured according to the dynamic test procedures and the conditions that are specified in “ISO 6395:2008.” The measurements were conducted at 70% of the maximum engine cooling fan speed. The sound level may vary at different engine cooling fan speeds.
- Sound level information for machines in European Union countries and in countries that adopt the “EU Directives”: If equipped, the certification label is used to verify the environmental sound certification of the machine to the requirements of the European Union. The value that is listed on the label indicates the guaranteed exterior sound power level (L_{WA}) at the time of manufacture for the conditions that are specified in “2000/14/EC.”

Waste Handler

| | | |
|--|-----------|-----------|
| Operating Weight ¹ | 30 465 kg | 67,164 lb |
| Shipping Weight ² | 27 600 kg | 60,848 lb |
| Track Shoe Width – Standard ³ | 675 mm | 27.0 in |
| Track Shoe Width – Narrow ³ | 500 mm | 20.0 in |
| Track Rollers – Each Side | 7 | |
| Number of Shoes – Each Side | 40 | |
| Track on Ground | 2930 mm | 115.3 in |
| Ground Pressure – Standard Shoes | 67.1 kPa | 9.7 psi |
| Ground Pressure – Narrow Shoes | 90.6 kPa | 13.1 psi |

Enhanced Cleaning Waste Handler

| | | |
|--|-----------|-----------|
| Operating Weight ¹ | 32 230 kg | 71,055 lb |
| Shipping Weight ² | 29 365 kg | 64,739 lb |
| Track Shoe Width – Standard ³ | 675 mm | 27.0 in |
| Track Shoe Width – Narrow ³ | 500 mm | 20.0 in |
| Track Rollers – Each Side | 7 | |
| Number of Shoes – Each Side | 40 | |
| Track on Ground | 2930 mm | 115.3 in |
| Ground Pressure – Standard Shoes | 71.0 kPa | 10.3 psi |
| Ground Pressure – Narrow Shoes | 95.8 kPa | 13.9 psi |

Extreme Service Waste Handler or Demolition

| | | |
|--|-----------|-----------|
| Operating Weight ¹ | 32 779 kg | 72,265 lb |
| Shipping Weight ² | 29 914 kg | 65,949 lb |
| Track Shoe Width – Standard ³ | 675 mm | 27.0 in |
| Track Shoe Width – Narrow ³ | 500 mm | 20.0 in |
| Track Rollers – Each Side | 7 | |
| Number of Shoes – Each Side | 40 | |
| Track on Ground | 2930 mm | 115.3 in |
| Ground Pressure – Standard Shoes | 72.2 kPa | 10.5 psi |
| Ground Pressure – Narrow Shoes | 97.5 kPa | 14.1 psi |

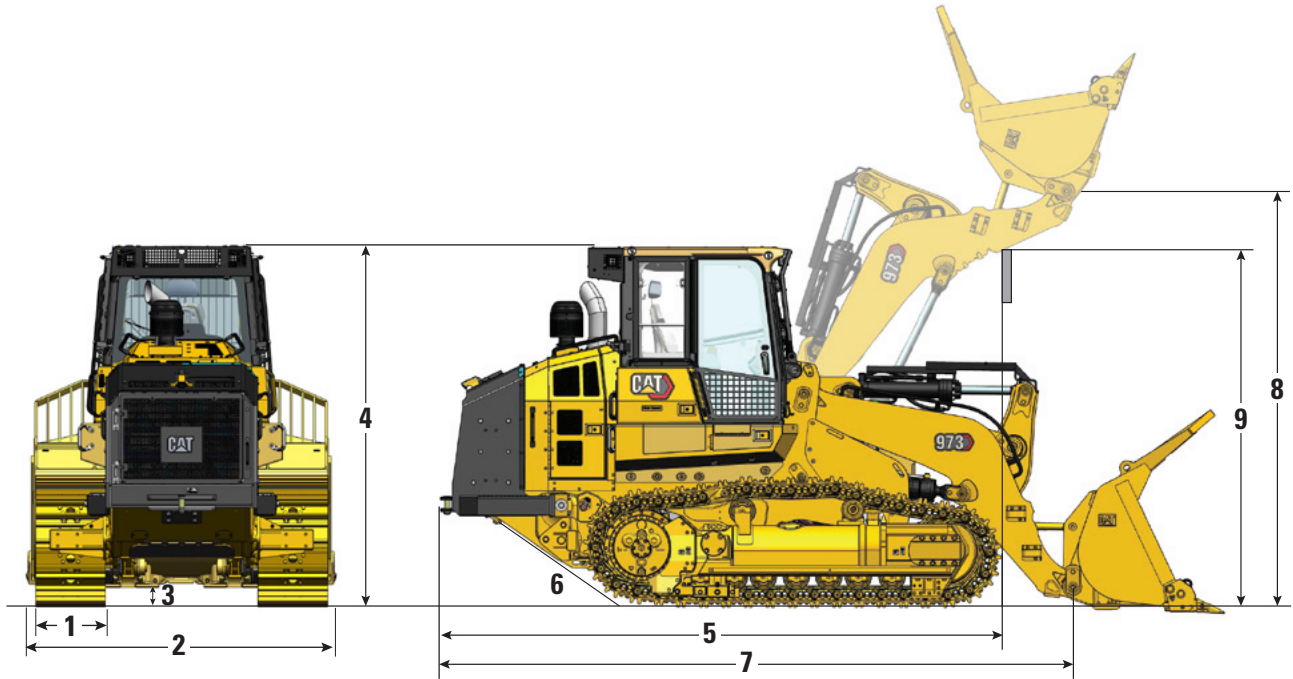
¹Operating weight: machine with construction package, general purpose landfill bucket with teeth and segments, Heavy Duty Extended Life undercarriage, aftertreatment system, lubricants, 100% fuel tank and 75 kg (165 lb) operator. For machines without aftertreatment, subtract 287 kg (632 lb).

²Shipping weight: machine with construction package, Heavy Duty Extended Life undercarriage, aftertreatment system, lubricants, 10% fuel tank and no bucket. For machines without aftertreatment, subtract 287 kg (632 lb).

³Single or double grouser, with or without center holes.

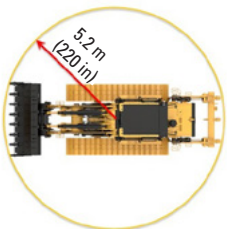
973 Track Loader – Waste Handler/Demolition Specifications

Dimensions



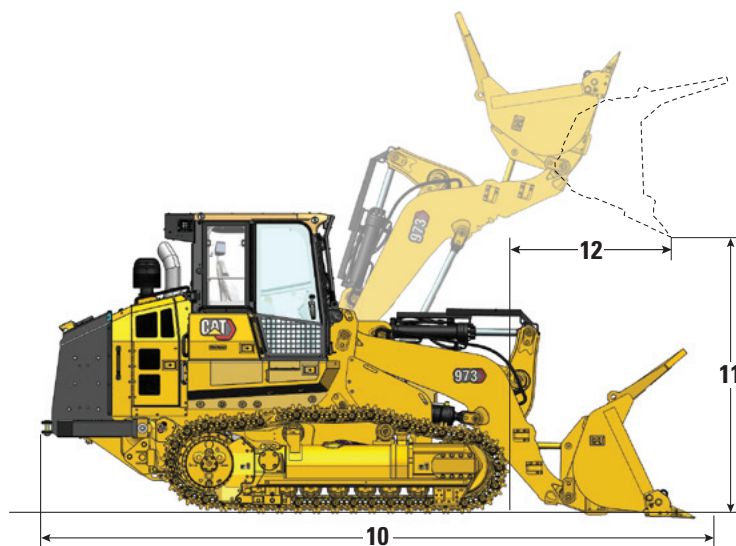
| | Waste Handler | | Enhanced Cleaning | | Extreme Service/ Demolition | |
|---|---------------|----------|-------------------|----------|--------------------------------|----------|
| 1 Standard Track Shoe Width | 675 mm | 27 in | 675 mm | 27 in | 675 mm | 27 in |
| 2 Overall Machine Width (without bucket) | | | | | | |
| Minimum: 500 mm/20 in shoes | 2660 mm | 104.7 in | 2815 mm | 110.8 in | 2660 mm | 104.7 in |
| Maximum: 675 mm/27 in shoes | 2835 mm | 111.6 in | 2990 mm | 117.7 in | 2835 mm | 116.6 in |
| 3 Ground Clearance | 469 mm | 18.5 in | 469 mm | 18.5 in | 469 mm | 18.5 in |
| 4 Machine Height to Top of Cab | 3510 mm | 138.2 in | 3510 mm | 138.2 in | 3510 mm | 138.2 in |
| 5 Machine Length to Front of Tracks | 5318 mm | 209.4 in | 5318 mm | 209.4 in | 5442 mm | 214.3 in |
| with Ripper, Add | 803 mm | 31.6 in | 803 mm | 31.6 in | | |
| 6 Ramp Angle | 29° | | 29° | | 29° | |
| 7 Overall Length (without bucket) | 6128 mm | 241.3 in | 6128 mm | 241.3 in | 6254 mm | 246.2 in |
| 8 Hinge Pin Height at Maximum Lift | 4218 mm | 166.1 in | 4218 mm | 166.1 in | 4218 mm | 166.1 in |
| 9 Lift Arm Clearance at Maximum Lift | 3667 mm | 144.4 in | 3667 mm | 144.4 in | 3667 mm | 144.4 in |
| Turning Radius | 5.2 m | 205 in | 5.2 m | 205 in | 5.2 m | 205 in |

Bucket and attachment offerings may vary. Please consult your Cat dealer for availability.



973 Track Loader – Waste Handler/Demolition Specifications

Buckets



| Pin-On Buckets | Waste Bucket* | | Multi-Purpose Waste Bucket** | |
|--|----------------------------------|---------------------|-------------------------------------|-------------------|
| Cutting Edge Type | Long Teeth & Segments | | Long Teeth & Segments | |
| Bucket Weight | 2541 kg | 5,602 lb | 3228 kg | 7,116 lb |
| Bucket Width | 3010 mm | 118.5 in | 2961 mm | 116.6 in |
| Rated Capacity at 100% Fill Factor ¹ | 4.9 m ³ | 6.4 yd ³ | 4.6 m ³ | 6 yd ³ |
| Rated Capacity at 110% Fill Factor | | | | |
| Rated Operating Capacity ² | 7795 kg | 17,185 lb | 8716 kg | 19,215 lb |
| Static Tipping Load | 22 272 kg | 49,101 lb | 24 903 kg | 54,902 lb |
| 10 Overall Machine Length (bucket on the ground) | 7492 mm | 295 in | 7748 mm | 305 in |
| 11 Dump Clearance at Maximum Lift and 45° Discharge | 3025 mm | 119.1 in | 2814 mm | 110.8 in |
| 12 Reach at Maximum Lift and 45° Discharge | 1352 mm | 53.2 in | 1425 mm | 56.1 in |
| Breakout Force | 248 300 N | 55,820 lbf | 205 900 N | 46,288 lbf |

Note: General construction buckets are compatible with the Waste Handler configuration. Additional buckets and work tool attachments are available. Please consult your Cat dealer for details.

*Machine equipped with no counterweight.

**Machine equipped with standard and additional counterweights.

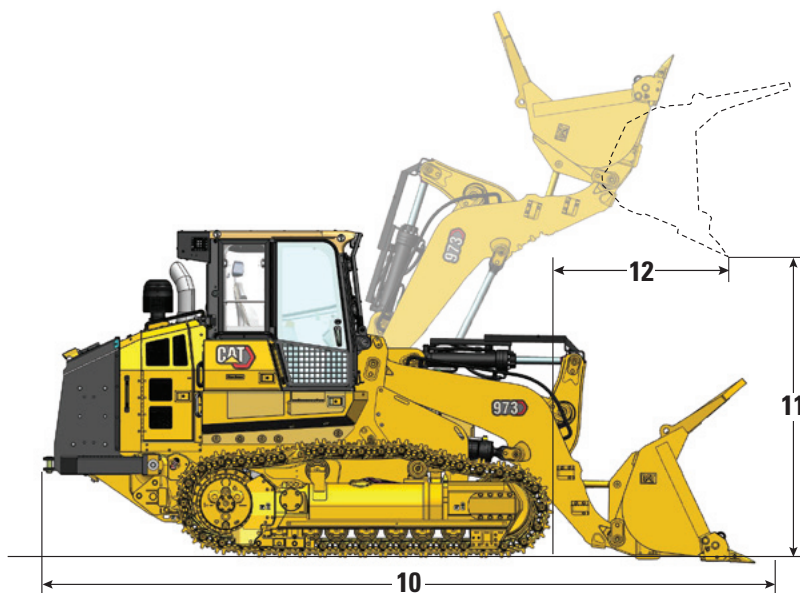
¹Volumetric bucket capacity as per ISO 7546:1983.

²Rated Operating Capacity should be considered with 35% Static Tipping Load as required by ISO 14397-1:2007.

(continued on next page)

973 Track Loader – Waste Handler/Demolition Specifications

Buckets (continued)



| Pin-On Buckets | General Purpose Waste Buckets* | | Performance Waste Bucket** | | | Multi-Purpose Waste Bucket** |
|--|--|--|--|--|--|--|
| | Long Teeth & Segments | Bolt-On Full Edge | Long Teeth & Segments | Welded Flush Adapters, Long Teeth | Wide – Welded Flush Adapters, Long Teeth | Long Teeth & Segments |
| Bucket Weight | 2151 kg (4,742 lb) | 1969 kg (4,341 lb) | 2645 kg (5,831 lb) | 2441 kg (5,381 lb) | 2641 kg (5,822 lb) | 3390 kg (7,474 lb) |
| Bucket Width | 3010 mm (118.5 in) | 3005 mm (118.3 in) | 3015 mm (118.7 in) | 3005 mm (118.3 in) | 3361 mm (132.3 in) | 2961 mm (116.6 in) |
| Rated Capacity at 100% Fill Factor ¹ | 3.2 m ³ (4.2 yd ³) | 3.2 m ³ (4.2 yd ³) | 3.8 m ³ (5.0 yd ³) | 3.6 m ³ (4.7 yd ³) | 4.0 m ³ (5.2 yd ³) | 3.0 m ³ (3.9 yd ³) |
| Rated Capacity at 110% Fill Factor | — | — | 4.2 m ³ (5.5 yd ³) | 4.0 m ³ (5.2 yd ³) | 4.4 m ³ (5.8 yd ³) | — |
| Rated Operating Capacity ² | 7795 kg (17,185 lb) | 7888 kg (17,390 lb) | 8980 kg (19,798 lb) | 9080 kg (20,018 lb) | 9173 kg (20,223 lb) | 8716 kg (19,215 lb) |
| Static Tipping Load | 22 272 kg (49,101 lb) | 22 537 kg (49,686 lb) | 25 658 kg (56,566 lb) | 25 943 kg (57,195 lb) | 26 208 kg (57,779 lb) | 24 903 kg (54,902 lb) |
| 10 Overall Machine Length (bucket on the ground) | 7492 mm (295 in) | 7496 mm (295 in) | 7544 mm (297 in) | 7550 mm (297 in) | 7550 mm (297 in) | 7748 mm (305 in) |
| 11 Dump Clearance at Maximum Lift and 45° Discharge | 3025 mm (119.1 in) | 3039 mm (119.6 in) | 2972 mm (117 in) | 2993 mm (117.8 in) | 2993 mm (117.8 in) | 2814 mm (110.8 in) |
| 12 Reach at Maximum Lift and 45° Discharge | 1352 mm (53.2 in) | 1382 mm (54.4 in) | 1387 mm (54.6 in) | 1430 mm (56.3 in) | 1430 mm (56.3 in) | 1425 mm (56.1 in) |
| Breakout Force | 248 300 N (55,820 lbf) | 273 100 N (61,395 lbf) | 232 800 N (52,336 lbf) | 254 700 N (57,259 lbf) | 253 800 N (57,057 lbf) | 205 900 N (46,288 lbf) |

*Machine equipped with no counterweight.

**Machine equipped with standard and additional counterweights or ripper.

¹Volumetric bucket capacity as per ISO 7546:1983.

²Rated Operating Capacity should be considered with 35% Static Tipping Load as required by ISO 14397-1:2007.

973 Track Loader – Waste Handler/Demolition Specifications

Track

| Track Shoe Width – Heavy Duty Sealed and Lubricated | Grousers | Features |
|---|---------------------------|--------------------------------|
| 550 mm (22 in) | Double | |
| 675 mm (27 in) | Double | |
| 500 mm (20 in) | Double | Center Hole |
| 510 mm (20 in) | Single | Center Hole Extreme Service |
| 675 mm (27 in) | Single | Center Hole |
| 675 mm (27 in) | Double | Center Hole |
| 830 mm (33 in) | Double | Wide Gauge |
| 500 mm (20 in) | Double | Steel Mill |
| 500 mm (20 in) | Flat | Steel Mill |
| 500 mm (20 in) | Triple | Steel Mill |
| 500 mm (20 in) | Alternate Flat and Double | Steel Mill |

Ripper

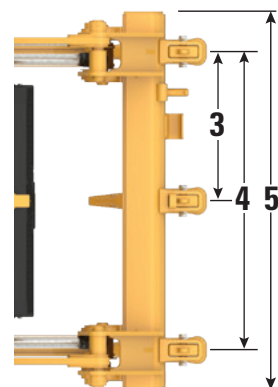
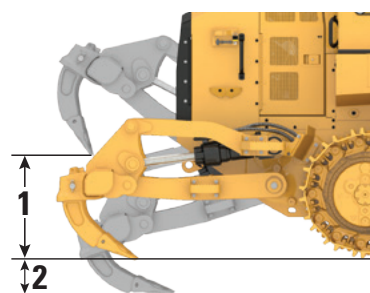
| Type | Parallelogram | |
|---|----------------|-----------------|
| Weight (with three shanks) | 1700 kg | 3,748 lb |
| 1 Maximum Clearance Raised (shank tip) | 888 mm | 35 in |
| 2 Maximum Penetration | 397 mm | 15.6 in |
| 3 Pocket Spacing | 867 mm | 34.1 in |
| 4 Shank Gauge | 1734 mm | 68.2 in |
| 5 Overall Ripping Width | 2200 mm | 86.6 in |
| Shank Cross Section | 74 mm × 175 mm | 2.9 in × 6.9 in |
| Maximum Penetration Force | 146 kN | 32,822 lbf |

Grouser Selection

Single Grouser – maximizes shredding effect

Double Grouser – best balance of traction and maneuverability

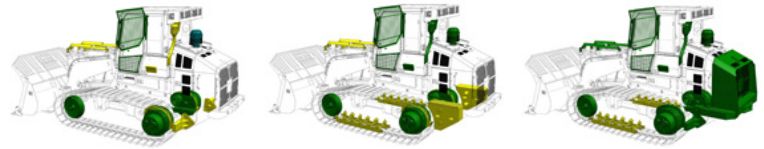
Center Holes – Helps reject material, helping to reduce build-up and added track tension.



973 Track Loader – Waste Handler/Demolition Specifications

Waste Handler Features

- ✓ Included
- ★ Recommended
- Compatible



| Feature | Waste Handler | Enhanced Cleaning | Extreme Service/ Demolition |
|--|---------------|-------------------|--------------------------------|
| Windshield Protection | ✓ | ✓ | ✓ |
| Insulated Clean Emissions Module (when equipped) | ✓ | ✓ | ✓ |
| Tilt Cylinder Guard | ★ | ★ | ✓ |
| Final Drive Duo Cone Seal Guard to protect against wire wrapping | ✓ | ✓ | ✓ |
| Final Drive Bottom Guard | ✓ | | ✓ |
| Final Drive Bottom Guard | ★ | | ✓ |
| Final Drive Top Guard | ● | ✓ | ✓ |
| Full Length Guard | ● | ★ | ★ |
| Striker Bars | ★ | ★ | ✓ |
| Programmable Reversing Fan (Frequency and Duration) with fixed blade pitch and reversed rotation | ✓ | ✓ | ✓ |
| Dual-Stage Engine Air Pre-Cleaner with Turbine | ✓ | ✓ | ✓ |
| Cab Air Precleaner with Powered Turbine to eject debris | ★ | ✓ | ✓ |
| 500 mm (20 in) or 675 mm (27 in) Heavy Duty Tracks with Center Holes | ★ | ★ | ★ |
| Ripper | ● | ● | |
| Counterweight – 1700 kg | ● | ★ | |
| Heavy-Duty Bumper | | | ✓ |
| Quick Coupler Lines | ● | ● | ● |
| Two additional LED lights at bottom of cab | ● | ● | ● |

973 Waste Handler/Demolition Standard and Optional Equipment

Standard and Optional Equipment

Standard and optional equipment may vary. Consult your Cat dealer for details.

| | Standard | Optional | | Standard | Optional |
|--|----------|----------|---|----------|----------|
| POWER TRAIN | | | ELECTRICAL | | |
| Cat C9.3B diesel engine with engine-mounted aftertreatment to meet U.S. EPA Tier 4 Final, EU Stage V, Korea Stage V, China Nonroad Stage IV, Japan 2014 emission standards | | ✓ | Ground Level Service Center | ✓ | |
| Cat C9.3B diesel engine to meet Eurasian Economic Union Stage IIIA, UN ECE R96 Stage IIIA emission standards, equivalent to Tier 3/Stage IIIA | | ✓ | 24 volt heavy-duty alternator | ✓ | |
| Engine turbocharger | ✓ | | Backup alarm | ✓ | |
| Air-To-Air After Cooler (ATAAC) | ✓ | | Two horns | ✓ | |
| Modular cooling system for engine air intake, oil and water | ✓ | | Two heavy-duty batteries, high output, maintenance free, 1,120 CCA | ✓ | |
| Hydraulic demand fan – electronically controlled, temperature sensing | ✓ | | Main disconnect switch | ✓ | |
| Hydraulic fan, reversing | ✓ | | Electric starter (heavy-duty, 24 volt) | ✓ | |
| Electro Hydrostatic Control (EHC) for transmission | ✓ | | Extra lighting. Two additional LED lights at the bottom of cab facing forward | | ✓ |
| Engine idle shutdown | ✓ | | LED flashing beacon | | ✓ |
| Auto engine speed control | ✓ | | OPERATOR ENVIRONMENT | | |
| Electric fuel pump | ✓ | | Standard cab with one sliding side window and four halogen lights: two facing forward, roof mounted, two facing rearward, integrated in the air conditioner unit | ✓ | |
| Water separator | ✓ | | Deluxe cab package with two sliding side windows and eight LED lights: four roof-mounted facing forward, two facing rearward and two facing side integrated in the air conditioner unit | | ✓ |
| Engine air cleaner | ✓ | | Deluxe high back seat – heated, with adjustable shock control | | ✓ |
| Engine air precleaner | ✓ | | Premium Plus high back seat – heated and cooled, lockable side-side isolator | | ✓ |
| UNDERCARRIAGE | | | Adjustable armrests | ✓ | |
| Heavy Duty Extended Life (HDXL) track | ✓ | | Electro Hydraulic, seat mounted control levers with faster processing | ✓ | |
| Oscillating track roller frames | ✓ | | V-pattern and pedal steering controls | | ✓ |
| Track guiding guards, end section | ✓ | | Joystick steering controls | | ✓ |
| Hydraulic track adjuster | ✓ | | Joystick implement control | | ✓ |
| Sprocket rims with replaceable bolt-on tough steel segments | ✓ | | Two-lever implement control | | ✓ |
| Sprocket guards | ✓ | | Seat belt, retractable, with buckling indicator on dash | ✓ | |
| Seven track rollers per side, with two upper carrier rollers, lifetime lubricated | ✓ | | Four-point restraint ready seat | ✓ | |
| Idlers, conventional type, lifetime lubricated | ✓ | | Air conditioning and heating | ✓ | |
| | | | Heater/defroster with automatic temperature control and automatic blower control | ✓ | |
| | | | Cab air powered precleaner | | ✓ |
| | | | Rearview mirror, inside, adjustable | ✓ | |

(continued on next page)

973 Waste Handler/Demolition Standard and Optional Equipment

Standard and Optional Equipment (continued)

Standard and optional equipment may vary. Consult your Cat dealer for details.

| | Standard | Optional | | Standard | Optional |
|---|----------|----------|--|----------|----------|
| OPERATOR ENVIRONMENT (continued) | | | OTHER STANDARD EQUIPMENT | | |
| 24V Radio ready. Includes speakers, antenna and 12V power outlet and 5V USB port | ✓ | | Durable metal fender | ✓ | |
| Radio – FM Ready Kit | | ✓ | Exterior sound suppression | ✓ | |
| Radio – Bluetooth & Aux & Mic | | ✓ | Load sensing implement pump with variable displacement | ✓ | |
| Radio – Bluetooth & Aux & Mic – Dab+ | | ✓ | Z-bar loader linkage | ✓ | |
| Radio – Bluetooth & Aux & Mic – Sirius | | ✓ | Implement cylinders with sensors | ✓ | |
| Parking brake switch and “brake-on” indicator light | ✓ | | Engine enclosure with lockable doors | ✓ | |
| Implement lock-out switch | ✓ | | Debris resistant radiator core (six fins-per-inch) | ✓ | |
| High Definition rearview camera | ✓ | | Hinged radiator guard with latch and swing out fan | ✓ | |
| 254 mm (10 in) color touchscreen display with integrated rear camera display and machine slope indicator bucket angle indicator | ✓ | | 4 × 2 easy tie-down points on chassis | ✓ | |
| Three selectable working modes (Auto, Power, Eco) | ✓ | | FEATURE PACKAGES | | |
| Configurable implement levers | ✓ | | Waste Package | | ✓ |
| Operator programmable lift and tilt kickouts | ✓ | | Extreme Service Waste/Demolition Package | | ✓ |
| Machine Pitch and Roll indicate | ✓ | | Enhanced Cleaning Waste Package | | ✓ |
| Bucket angle indicate | ✓ | | GUARDING | | |
| Bucket shake | ✓ | | Full bottom guards | ✓ | |
| Remote services (Troubleshoot/Remote Flash) | | ✓ | Idler guard (none) | | ✓ |
| Heavy-duty rubber floor mat | ✓ | | Idler guard | | ✓ |
| Windshield washers and wipers, multiple speed, front and rear | ✓ | | Idler guard – ship hold | | ✓ |
| Durable metal roof | ✓ | | Front light guard | | ✓ |
| Coat hook | ✓ | | Windshield guard | | ✓ |
| Storage compartments under left armrest | | ✓ | Tilt cylinder guard | | ✓ |
| Lunch box storage with strap holder | ✓ | | Final drive duo cone seal guard | ✓ | |
| Document holder on right console | ✓ | | Two-piece final drive guard | | ✓ |
| | | | Three-piece final drive guard | | ✓ |
| | | | Final drive bottom guard | | ✓ |
| | | | Track roller guard | | ✓ |

(continued on next page)

973 Waste Handler/Demolition Standard and Optional Equipment

Standard and Optional Equipment (continued)

Standard and optional equipment may vary. Consult your Cat dealer for details.

| | Standard | Optional | | Standard | Optional |
|---|----------|----------|--|----------|----------|
| WORK TOOLS* | | | MAINTENANCE | | |
| Buckets: | | | Standard lubricant | | ✓ |
| Pin-On General Purpose Waste – Heavy duty – 4.9 m ³ (6.4 yd ³) | | ✓ | Bio lubricant | | ✓ |
| Pin-On Multi-Purpose Waste – Standard duty – 4.6 m ³ (6 yd ³) | | ✓ | Cat extended life coolant | ✓ | |
| Pin-On General Purpose – Standard duty – 3.0 – 3.6 m ³ (3.9 – 4.7 yd ³) | | ✓ | Underhood light | ✓ | |
| Fusion General Purpose – Standard duty – 3.2 m ³ (4.2 yd ³) | | ✓ | Service package | | ✓ |
| Pin-On General Purpose – Heavy duty – 3.6 – 3.8 m ³ (4.7 – 5.0 yd ³) | | ✓ | Extended service package – manual hydraulic system enabling cab tilt and lock at 30 degrees safely in the field, shovel holder bracket (shovel not included) | | ✓ |
| Pin-On Multi-Purpose – Standard duty – 3.0 m ³ (3.9 yd ³) | | ✓ | High speed oil change | | ✓ |
| Pin-On Multi-Purpose – Heavy duty – 3.0 m ³ (3.9 yd ³) | | ✓ | Ecology drains on hydraulic oil tank | ✓ | |
| Pin-On General Purpose Flat Floor – Heavy duty 3.6 – 4 m ³ to (4.7 – 5.2 yd ³) | | ✓ | Oil sampling valves | ✓ | |
| Pin-On Side Dump – Standard duty – 2.3 m ³ (3.0 yd ³) | | ✓ | Cat XT hoses | ✓ | |
| No bucket | | ✓ | HYDO Advanced 10 | ✓ | |
| Other Work Tools: | | | Implement oil return filter in hydraulic tank | ✓ | |
| Pin-On Fork Carriage – 2743 mm (108 in) | | ✓ | Hystat drain return filter in hydraulic tank | ✓ | |
| Pin-On Rock Spade Heavy duty – 3.4 m ³ (4.5 yd ³) | | ✓ | | | |
| Fusion Material handling arm – 3125 – 4645 mm (123 – 183 in) | | ✓ | REAR ATTACHMENTS | | |
| | | | Bumper | | ✓ |
| | | | Ripper | | ✓ |
| | | | No bumper | | ✓ |
| | | | Ripper hitch | | ✓ |
| | | | Striker bars | | ✓ |
| | | | COUNTERWEIGHTS | | |
| | | | Counterweight 1670 kg (3,682 lb) | | ✓ |
| | | | Counterweight for rear HD bumper 400 kg (882 lb) | | ✓ |
| | | | OTHER EQUIPMENT | | |
| | | | Access package | | ✓ |
| | | | Jacket water heater (110V) | | ✓ |
| | | | Jacket water heater (240V) | | ✓ |
| | | | Fusion Quick Coupler | | ✓ |
| | | | TECHNOLOGY PRODUCTS | | |
| | | | Product Link™ ready | ✓ | |
| | | | Product Link cellular | | ✓ |
| | | | Product Link dual (cellular and satellite) | | ✓ |
| | | | Cat Payload | | ✓ |
| | | | Grade Control mast | | ✓ |

Note: All buckets (excluding Slag and General Purpose with full bolted cutting edge) feature Advansys Ground Engaging Tools.

HYDRAULICS

| | |
|---|---|
| Two-valve hydraulics, two-lever | ✓ |
| Two-valve hydraulics, joystick | ✓ |
| Three-valve hydraulics, front, joystick | ✓ |
| Three-valve hydraulics, rear, joystick | ✓ |
| Three-valve hydraulics, rear, two-lever | ✓ |
| Four-valve hydraulics, front and rear, joystick | ✓ |
| Standard hydraulic lines | ✓ |
| Quick coupler hydraulic lines | ✓ |

FUEL TANK

| | |
|--------------------------|---|
| Metallic fuel tank | ✓ |
| Fast Fill fuel tank | ✓ |
| Fuel tank refilling pump | ✓ |
| Sediment hand pump | ✓ |

*Bucket and attachment offerings may vary. Please consult your Cat dealer for availability.



973

Track Loader Ship Hold

Traction, balance and agility are among the key characteristics that make track loaders ideal for ship hold work. Add in speed, reach, visibility and capability to use a variety of attachments, and track loaders become the top choice for unloading bulk carriers.

Track Loader Advantages

- Machine balance
- Maneuverability, especially in tight spaces
- Smooth, responsive controls
- Ability to work on slopes
- Undercarriage provides excellent traction and smooth ride over rough, loose or uneven surfaces
- Low ground pressure
- Excellent visibility, now with rear vision camera
- Quiet, sound suppressed cab
- Adjustable, air suspension seat for operator comfort
- Ease of maintenance and cooling system cleanout
- High reach for scraping down walls or loading

Please consult with your Cat dealer regarding Ship Hold package availability.

Note: 963 Ship Hold model shown.

Ship Hold Features

- A set of durable lifting eyes designed and validated with ISO 15818:2017 provide fast and safe loading into the hold.
- Widely spaced lifting eyes provide stability during the lift.
- Steps for easy access to the cab from the front and the rear stability during the lift.
- Guarding helps protect the tilt cylinder rod from debris and impact.
- Thicker hydraulic tank guards.
- Optional center hole shoes reduce track packing and track chain tightening which extends undercarriage life.

Attachment Versatility

- Trim blade or two-way dozer
- General purpose buckets
- Multi-purpose buckets

973 Track Loader – Ship Hold Specifications

Engine

| | | |
|--------------------------|--|---------------------|
| Engine Model | Cat® C9.3B | |
| Emissions | Meets U.S. EPA Tier 4 Final, EU Stage V, Korea Stage V, China Nonroad Stage IV, Japan 2014 emission standards or Eurasian Economic Union Stage IIIA, UN ECE R96 Stage IIIA emission standards, equivalent to U.S. EPA Tier 3/ EU Stage IIIA. | |
| Net Power (1,800 rpm) | | |
| ISO 9249/SAE J1349 | 205 kW | 275 hp |
| ISO 9249 (DIN) | 279 mhp | |
| Engine Power (1,800 rpm) | | |
| ISO 14396 | 228 kW | 306 hp |
| ISO 14396 (DIN) | 310 mhp | |
| Bore | 115 mm | 4.5 in |
| Stroke | 149 mm | 5.9 in |
| Displacement | 9.3 L | 567 in ³ |

- Net power advertised is the power available at the engine flywheel when the engine is equipped with a fan, air cleaner, clean emissions module and alternator.
- Advertised power is tested per the specified standard in effect at the time of manufacture.
- No derating required up to 2743 m (9,000 ft) altitude.
- Cat U.S. EPA Tier 4 Final, EU Stage V, Korea Stage V, China Nonroad Stage IV, Japan 2014 engines are required to use ULSD (ultra-low sulfur diesel fuel with 15 ppm of sulfur or less) or ULSD blended with the following lower-carbon intensity fuels up to:
 - ✓ 20% biodiesel FAME (fatty acid methyl ester)*
 - ✓ 100% renewable diesel, HVO (hydrotreated vegetable oil) and GTL (gas-to-liquid) fuels

Cat engines meeting Eurasian Economic Union Stage IIIA, UN ECE R96 Stage IIIA emission standards, equivalent to U.S. EPA Tier 3/ EU Stage IIIA, are compatible with diesel fuel blended with the following lower-carbon intensity fuels up to:

- ✓ 100% biodiesel FAME (fatty acid methyl ester)**
- ✓ 100% renewable diesel, HVO (hydrotreated vegetable oil) and GTL (gas-to-liquid) fuels

Refer to guidelines for successful application. Please consult your Cat dealer or “Caterpillar Machine Fluids Recommendations” (SEBU6250) for details.

**Engines with no aftertreatment devices can use higher blends, up to 100% biodiesel (For use of blends higher than 20% biodiesel, consult your Cat dealer).*

***For use of blends higher than 20% biodiesel, consult your Cat dealer.*

Air Conditioning

The air conditioning system on this machine contains the fluorinated greenhouse gas refrigerant R134a (Global Warming Potential = 1430). The system contains 1.1 kg of refrigerant which has a CO₂ equivalent of 1.573 metric tons.

Drive System

| | |
|-------------------------|---|
| Description | Electronically controlled Hydrostatic drive with two variable displacement bent axis motors and two variable displacement slipper-type axial piston pumps |
| Travel Speed | Infinite variable speed from 0 to 11 km/h (0 to 6.8 mph) |
| Maximum System Pressure | 45 000 kPa 6,527 psi |

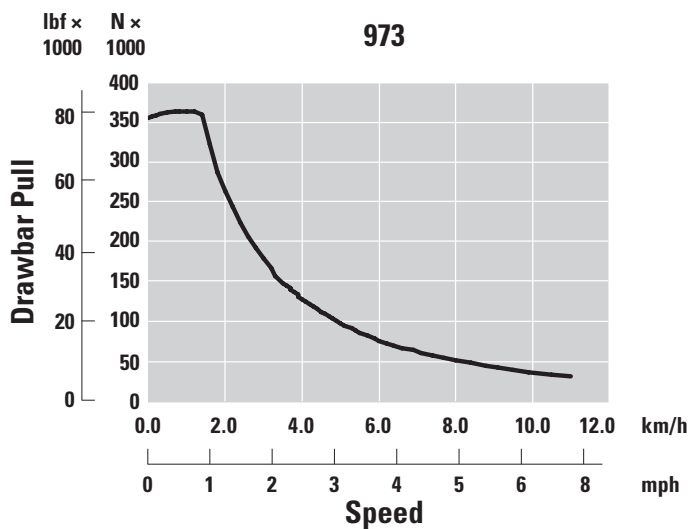
Implement System

| | |
|-------------------------|---|
| Description | Load sensing, variable displacement piston pump |
| Maximum Continuous Flow | 325 L/min 86 gal/min |
| Maximum Pressure | 27 500 kPa 3,988 psi |
| Filter System | Implement return filter |

Service Refill Capacities

| | | |
|---|--------|----------|
| Fuel Tank | 450 L | 119 gal |
| Diesel Exhaust Fluid (DEF) Tank (when equipped) | 35 L | 9.2 gal |
| Cooling System | 44 L | 11.6 gal |
| Crankcase (with filter) | 26 L | 6.9 gal |
| Final Drive (each) | 28.5 L | 7.5 gal |
| Hydraulic Tank | 349 L | 92.2 gal |
| Pivot Shaft | 3 L | 0.8 gal |

Drawbar Pull



973 Track Loader – Ship Hold Specifications

| Track | | |
|---|---------------------------|--------------------------------|
| Track Shoe Width – Heavy Duty Sealed and Lubricated | Grousers | Features |
| 550 mm (22 in) | Double | |
| 675 mm (27 in) | Double | |
| 500 mm (20 in) | Double | Center Hole |
| 510 mm (20 in) | Single | Center Hole Extreme Service |
| 675 mm (27 in) | Single | Center Hole |
| 675 mm (27 in) | Double | Center Hole |
| 500 mm (20 in) | Double | Steel Mill |
| 500 mm (20 in) | Flat | Steel Mill |
| 500 mm (20 in) | Triple | Steel Mill |
| 500 mm (20 in) | Alternate Flat and Double | Steel Mill |

| Weights and Dimensions | | |
|--|-----------|-----------|
| Operating Weight ¹ | 28 762 kg | 63,409 lb |
| Shipping Weight ² | 26 203 kg | 57,768 lb |
| Track Shoe Width – Standard ³ | 675 mm | 27 in |
| Track Shoe Width – Narrow ³ | 500 mm | 20 in |
| Track Rollers – Each Side | | 7 |
| Number of Shoes – Each Side | | 40 |
| Track on Ground | 2930 mm | 115.3 in |
| Ground Pressure – Standard Shoes | 63.4 kPa | 9.2 psi |
| Ground Pressure – Narrow Shoes | 85.5 kPa | 12.4 psi |

¹Operating weight: machine with construction package, trim blade, Heavy Duty Extended Life undercarriage, aftertreatment system, lubricants, 100% fuel tank and 75 kg (165 lb) operator. For machines without aftertreatment, subtract 287 kg (632 lb).

²Shipping weight: machine with construction package, Heavy Duty Extended Life undercarriage, aftertreatment system, lubricants, 10% fuel tank and no blade/bucket. For machines without aftertreatment, subtract 287 kg (632 lb).

³Single or double grouser, with or without center holes.

Standards

ROPS/FOPS

- ROPS (Rollover Protective Structure) offered by Caterpillar for the machine meets ROPS criteria ISO 3471:2008.
- FOPS (Falling Object Protective Structure) meets ISO 3449:2005 Level II.

Brakes

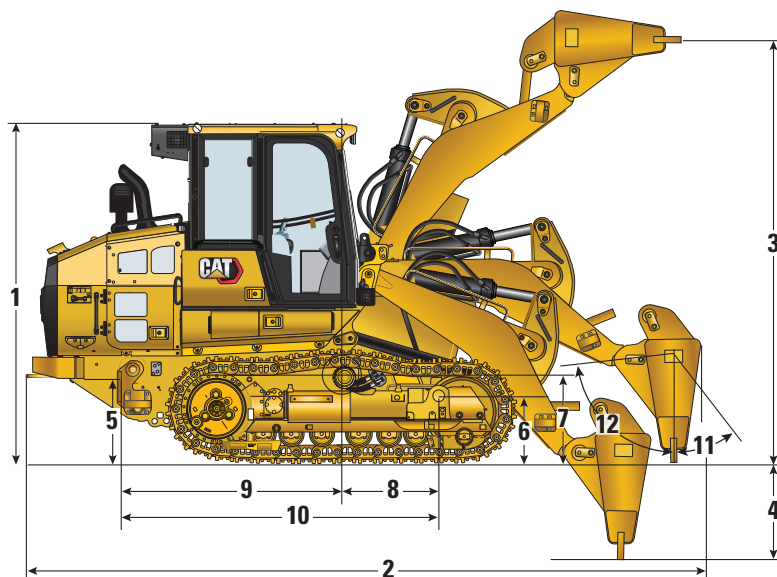
- Brakes meet the standard ISO 10265:2008.

Sound and Vibration Information

- The declared dynamic operator sound pressure level is 75 dB(A) when “ISO 6396:2008” is used to measure the value for an enclosed cab. The measurements were conducted at 70% of the maximum engine cooling fan speed. The sound level may vary at different engine cooling fan speeds. The cab was properly installed and maintained. The measurements were conducted with the cab doors and the cab windows closed. NOTE: The dynamic operator sound pressure level uncertainty is ± 2 dB(A).
- Hearing protection may be needed when the machine is operated with an open operator station for extended periods, in a noisy environment or with a cab that is not properly maintained.
- The guaranteed exterior sound power level is 111 dB(A) when the value is measured according to the dynamic test procedures and the conditions that are specified in “ISO 6395:2008.” The measurements were conducted at 70% of the maximum engine cooling fan speed. The sound level may vary at different engine cooling fan speeds.
- Sound level information for machines in European Union countries and in countries that adopt the “EU Directives”: If equipped, the certification label is used to verify the environmental sound certification of the machine to the requirements of the European Union. The value that is listed on the label indicates the guaranteed exterior sound power level (L_{WA}) at the time of manufacture for the conditions that are specified in “2000/14/EC.”

973 Track Loader – Ship Hold Specifications

Dimensions



Dimensions (without rear bumper)

| | | |
|---|---------|----------|
| 1 Overall Height | 3510 mm | 138.2 in |
| 2 Overall Length | 7087 mm | 279.0 in |
| 3 Work Tool Cutting Edge Height Fully Raised | 4819 mm | 189.7 in |
| 4 Digging Depth – Fully Tilted Fully Retracted | 1099 mm | 43.3 in |
| 4 Digging Depth – Blade Vertical | 946 mm | 45.1 in |
| Overall Width – with 500 mm (20 in) shoes | 2300 mm | 90.6 in |
| Overall Width – with 675 mm (27 in) shoes | 2835 mm | 111.6 in |
| Blade Width | 3469 mm | 136.6 in |
| 5 Rear Lifting Eye Height | 909 mm | 35.8 in |
| 6 Front Lifting Eye Height | 605 mm | 23.8 in |
| Center of Gravity Dimensions | | |
| 7 Center of Gravity Height | 874 mm | 34.4 in |
| 8 Center of Gravity to Front Eye | 689 mm | 27.1 in |
| 9 Center of Gravity to Rear Eye | 2490 mm | 98.0 in |
| 10 Distance from Rear to Front Lifting Eyes | 3325 mm | 130.9 in |
| 11 Trim Blade Pitch – Forward | | 39° |
| 12 Trim Blade Pitch – Rearward | | 21° |
| Turning Radius | 4.5 m | 177.0 in |

Blades

| Trim Blades | Trim Blade | | Trim Blade | |
|----------------|--------------------|---------------------|--------------------|---------------------|
| Blade Weight | 1819 kg | 4,010 lb | 2235 kg | 4,927 lb |
| Blade Width | 3469 mm | 136.6 in | 3469 mm | 136.6 in |
| Blade Height | 1151 mm | 45 in | 1151 mm | 45 in |
| Blade Capacity | 3.6 m ³ | 4.7 yd ³ | 3.6 m ³ | 4.7 yd ³ |

For additional blade and attachment offerings, please consult your Cat dealer.

973 Track Loader – Ship Hold Specifications

Buckets

| Pin-On Buckets | General Purpose Bucket* | |
|--|---|---|
| Cutting Edge Type | Long Teeth & Segments | Bolt-On Full Edge |
| Bucket Weight | 2151 kg (4,742 lb) | 1969 kg (4,341 lb) |
| Bucket Width | 3010 mm (118.5 in) | 3005 mm (118.3 in) |
| Rated Capacity at 100% Fill Factor ¹ | 3.2 m ³ (4.2 yd ³) | 3.2 m ³ (4.2 yd ³) |
| Rated Operating Capacity ² | 7795 kg (17,185 lb) | 7888 kg (17,390 lb) |
| Static Tipping Load | 22 272 kg (49,101 lb) | 22 537 kg (49,686 lb) |
| Overall Machine Length (bucket on the ground) | 7492 mm (295 in) | 7496 mm (295 in) |
| Dump Clearance at Maximum Lift and 45° Discharge | 3025 mm (119.1 in) | 3039 mm (119.6 in) |
| Reach at Maximum Lift and 45° Discharge | 1352 mm (53.2 in) | 1382 mm (54.4 in) |
| Breakout Force | 248 300 N (55,820 lbf) | 273 100 N (61,395 lbf) |

Bucket and attachment offerings may vary. Please consult your Cat dealer for availability.

*Machine equipped with no counterweight.

¹Volumetric bucket capacity as per ISO 7546:1983.

²Rated Operating Capacity should be considered with 35% Static Tipping Load as required by ISO 14397-1:2007.

³Machine equipped with standard and additional counterweights.

973 Ship Hold Standard and Optional Equipment

Standard and Optional Equipment

Standard and optional equipment may vary. Consult your Cat dealer for details.

| | Standard | Optional | | Standard | Optional |
|--|----------|----------|---|----------|----------|
| POWER TRAIN | | | ELECTRICAL | | |
| Cat C9.3B diesel engine with engine-mounted aftertreatment to meet U.S. EPA Tier 4 Final, EU Stage V, Korea Stage V, China Nonroad Stage IV, Japan 2014 emission standards | | ✓ | Ground Level Service Center | ✓ | |
| Cat C9.3B diesel engine to meet Eurasian Economic Union Stage IIIA, UN ECE R96 Stage IIIA emission standards, equivalent to Tier 3/Stage IIIA | | ✓ | 24 volt heavy-duty alternator | ✓ | |
| Engine turbocharger | ✓ | | Backup alarm | ✓ | |
| Air-To-Air After Cooler (ATAAC) | ✓ | | Two horns | ✓ | |
| Modular cooling system for engine air intake, oil and water | ✓ | | Two heavy-duty batteries, high output, maintenance free, 1,120 CCA | ✓ | |
| Hydraulic demand fan – electronically controlled, temperature sensing | ✓ | | Main disconnect switch | ✓ | |
| Hydraulic fan, reversing | ✓ | | Electric starter (heavy-duty, 24 volt) | ✓ | |
| Electro Hydrostatic Control (EHC) for transmission | ✓ | | Extra lighting – two additional LED lights at the bottom of cab facing forward | | ✓ |
| Engine idle shutdown | ✓ | | LED flashing beacon | | ✓ |
| Auto engine speed control | ✓ | | OPERATOR ENVIRONMENT | | |
| Electric fuel pump | ✓ | | Standard cab with one sliding side window and four halogen lights: two facing forward, roof mounted, two facing rearward, integrated in the air conditioner unit | ✓ | |
| Water separator | ✓ | | Deluxe cab package with two sliding side windows and eight LED lights: four roof-mounted facing forward, two facing rearward and two facing side integrated in the air conditioner unit | | ✓ |
| Engine air cleaner | ✓ | | Deluxe high back seat – heated, with adjustable shock control | | ✓ |
| Engine air precleaner | ✓ | | Premium Plus high back seat – heated and cooled, lockable side-side isolator | | ✓ |
| UNDERCARRIAGE | | | Adjustable armrests | ✓ | |
| Heavy Duty Extended Life (HDXL) track | ✓ | | Electro Hydraulic, seat mounted control levers with faster processing | ✓ | |
| Oscillating track roller frames | ✓ | | V-pattern and pedal steering controls | | ✓ |
| Track guiding guards, end section | ✓ | | Joystick steering controls | | ✓ |
| Hydraulic track adjuster | ✓ | | Joystick implement control | | ✓ |
| Sprocket rims with replaceable bolt-on tough steel segments | ✓ | | Two-lever implement control | | ✓ |
| Sprocket guards | ✓ | | Seat belt, retractable, with buckling indicator on dash | ✓ | |
| Seven track rollers per side, with two upper carrier rollers, lifetime lubricated | ✓ | | Four-point restraint ready seat | ✓ | |
| Idlers, conventional type, lifetime lubricated | ✓ | | | | |

(continued on next page)

973 Ship Hold Standard and Optional Equipment

Standard and Optional Equipment *(continued)*

Standard and optional equipment may vary. Consult your Cat dealer for details.

| | Standard | Optional | | Standard | Optional |
|--|----------|----------|--|----------|----------|
| OPERATOR ENVIRONMENT <i>(continued)</i> | | | OTHER STANDARD EQUIPMENT | | |
| Air conditioning and heating | ✓ | | Rear and front lifting device | ✓ | |
| Heater/defroster with automatic temperature control and automatic blower control | ✓ | | Durable metal fender | ✓ | |
| Cab air powered precleaner | | ✓ | Exterior sound suppression | ✓ | |
| Rearview mirror, inside, adjustable | ✓ | | Load sensing implement pump with variable displacement | ✓ | |
| 24V Radio ready. Includes speakers, antenna and 12V power outlet and 5V USB port | ✓ | | Z-bar loader linkage | ✓ | |
| Radio – FM Ready Kit | | ✓ | Implement cylinders with sensors | ✓ | |
| Radio – Bluetooth & Aux & Mic | | ✓ | Engine enclosure with lockable doors | ✓ | |
| Radio – Bluetooth & Aux & Mic – Dab+ | | ✓ | Debris resistant radiator core (six fins-per-inch) | ✓ | |
| Radio – Bluetooth & Aux & Mic – Sirius | | ✓ | Hinged radiator guard and swing out fan | ✓ | |
| Parking brake switch and “brake-on” indicator light | ✓ | | 4 × 2 easy tie-down points on chassis | ✓ | |
| Implement lock-out switch | ✓ | | GUARDING | | |
| High Definition rearview camera | ✓ | | Full bottom guards | ✓ | |
| 254 mm (10 in) color touchscreen display with integrated rear camera display and machine slope indicator | ✓ | | Idler guard (none) | | ✓ |
| Three selectable working modes (Auto, Power, Eco) | ✓ | | Idler guard | | ✓ |
| Configurable implement levers | ✓ | | Idler guard – ship hold | | ✓ |
| Operator programmable lift and tilt kickouts | ✓ | | Front light guard | | ✓ |
| Machine Pitch and Roll indicate | ✓ | | Windshield guard | | ✓ |
| Bucket angle indicate | ✓ | | Tilt cylinder guard | ✓ | |
| Bucket shake | ✓ | | Two-piece final drive guard | | ✓ |
| Remote services (Troubleshoot/Remote Flash) | | ✓ | Three-piece final drive guard | | ✓ |
| Heavy-duty rubber floor mat | ✓ | | Final drive bottom guard | | ✓ |
| Windshield washers and wipers, multiple speed, front and rear | ✓ | | Track roller guard | | ✓ |
| Durable metal roof | ✓ | | | | |
| Coat hook | ✓ | | | | |
| Storage compartments under left armrest | ✓ | | | | |
| Lunch box storage with strap holder | ✓ | | | | |
| Document holder on right console | ✓ | | | | |

(continued on next page)

973 Ship Hold Standard and Optional Equipment

Standard and Optional Equipment (continued)

Standard and optional equipment may vary. Consult your Cat dealer for details.

| | Standard | Optional | | Standard | Optional |
|---|----------|----------|--|----------|----------|
| WORK TOOLS* | | | MAINTENANCE | | |
| Buckets: | | | Standard lubricant | | ✓ |
| Pin-On General Purpose – Standard duty – 3.0 – 3.6 m ³ (3.9 – 4.7 yd ³) | | ✓ | Bio lubricant | | ✓ |
| Fusion General Purpose – Standard duty – 3.2 m ³ (4.2 yd ³) | | ✓ | Cat extended life coolant | ✓ | |
| Pin-On General Purpose – Heavy duty – 3.6 – 3.8 m ³ (4.7 to 5.0 yd ³) | | ✓ | Underhood light | ✓ | |
| Pin-On Multi-Purpose – Standard duty – 3.0 m ³ (3.9 yd ³) | | ✓ | Service package | | ✓ |
| Pin-On Multi-Purpose – Heavy duty – 3.0 m ³ (3.9 yd ³) | | ✓ | Extended service package – manual hydraulic system enabling cab tilt and lock at 30 degrees safely in the field, shovel holder bracket (shovel not included) | | ✓ |
| Pin-On Side Dump) – Standard duty – 2.3 m ³ (3.0 yd ³) | | ✓ | High speed oil change | | ✓ |
| Pin-On General Purpose Flat Floor – Heavy duty 3.6 – 4.0 m ³ (4.7 – 5.2 yd ³) | | ✓ | Ecology drains on hydraulic oil tank | ✓ | |
| No bucket | | ✓ | Oil sampling valves | ✓ | |
| Other Work Tools: | | | Cat XT hoses | ✓ | |
| Pin-On Trim Blade (Shiphold) – 3.6 m ³ (4.67 yd ³) | | ✓ | HYDO Advanced 10 | ✓ | |
| Note: All buckets (excluding Slag and General Purpose with full bolted cutting edge) feature Advansys Ground Engaging Tools. | | | Implement oil return filter in hydraulic tank | ✓ | |
| | | | Hystat drain return filter in hydraulic tank | ✓ | |
| BLADES* | | | REAR ATTACHMENTS | | |
| Trim Blade – 3469 mm (136.6 in) | | ✓ | Bumper | ✓ | |
| HYDRAULICS | | | FUEL TANK | | |
| Two-valve hydraulics, two-lever | | ✓ | Fuel tank | ✓ | |
| Two-valve hydraulics, joystick | | ✓ | Fast Fill fuel tank | | ✓ |
| Three-valve hydraulics, front, joystick | | ✓ | Fuel tank refilling pump | | ✓ |
| Three-valve hydraulics, rear, joystick | | ✓ | Sediment hand pump | | ✓ |
| Three-valve hydraulics, rear, two-lever | | ✓ | OTHER EQUIPMENT | | |
| Four-valve hydraulics, front and rear, joystick | | ✓ | Access package | | ✓ |
| Standard hydraulic lines | | ✓ | Jacket water heater (110V) | | ✓ |
| Quick coupler hydraulic lines | | ✓ | Jacket water heater (240V) | | ✓ |
| *Bucket and attachment offerings may vary. Please consult your Cat dealer for availability. | | | TECHNOLOGY PRODUCTS | | |
| | | | Product Link™ ready | ✓ | |
| | | | Product Link cellular | | ✓ |
| | | | Product Link dual (cellular and satellite) | | ✓ |
| | | | Cat Payload | | ✓ |



973

Track Loader Steel Mill

Factory designed and installed features equip your loader for the extreme heat and harsh conditions of steel mill work. Maneuverability, visibility and the breakout force needed for fast cycle times make track loaders a rugged and efficient choice for handling slag.

High Temperature Undercarriage

- Purpose-built undercarriage includes high temperature seals in rollers, idlers, pivot shafts and final drives.
- Steel bar welded on the bottom of the track roller frame helps prevent heat distortion.
- Duo-cone™ seal guards on the final drives.
- Equalizer bar guards.

Steel Mill Cab

- Various heat shields inside lower doors, underneath the operator station, around air ducts and air conditioning lines.
- Heat resistant floor mat.
- Laminated windshield is 18 mm (0.71 in) thick.
- Front grill with vertical bars helps protect windshield against slag projectiles while maintaining good visibility.
- Fine mesh screen reduces risk of thermal shock from slag spillage/radiated heat.
- Cab windows silicone sealed.
- Bottom of cab door made from steel to resist slag splatter from tracks.
- Steel plate on top of cab greatly reduces radiant heat transfer into cab.
- Eight wide flood lights (four front, two rear, two sides) heat resistant, equipped with silicone sleeves.
- Metallic door handles and roof act as a heat shield.
- Silicone seals between cab and chassis.

Please consult with your Cat dealer regarding Steel Mill package availability.

Heat Protection

- Silicone sleeves around exposed hydrostatic drive lines, lift and tilt hydraulic lines.
- Tilt cylinder guards.
- Heat shields on lift cylinder guard, rod end seal.
- High temperature seals inside lift and tilt cylinders.
- Thermal guarding on fenders, bottom guards, front guard, chassis bottom, hydraulic lines, hoses and wiring harnesses, inside fenders and enclosure doors.

Additional Protective Features

- Insulated steel fuel tank.
- Pressure relief/flash spark arrester on fuel tank cap.
- Fire retardant oil.
- Synthetic, fire-resistant hydraulic fluid.
- Heavy-duty front and rear machine guards.
- Sealed track link with no lubrication fluid.
- Teflon braiding on chassis wiring harnesses
- Double grouser or triple grouser shoes – optimize for work on paved surfaces.
- High capacity slag bucket reduces cycle times and has larger teeth for longer life.

Steel Mill Operating Recommendations

Caterpillar recommends that Steel Mill machines be exposed to hot slag for less than 15 minutes each hour to allow for adequate cooling time between cycles. Typically, two machines per furnace and a backup machine for the site provide the best uptime. The timing, frequency and duration of the work and cooling cycles varies by job site, but exceeding the recommended exposure time will prevent the machine from meeting expected performance levels.

973 Track Loader – Steel Mill Specifications

Engine

| | | |
|--------------------------|--|---------------------|
| Engine Model | Cat® C9.3B | |
| Emissions | Meets U.S. EPA Tier 4 Final, EU Stage V, Korea Stage V, China Nonroad Stage IV, Japan 2014 emission standards or Eurasian Economic Union Stage IIIA, UN ECE R96 Stage IIIA emission standards, equivalent to U.S. EPA Tier 3/ EU Stage IIIA. | |
| Net Power (1,800 rpm) | | |
| ISO 9249/SAE J1349 | 205 kW | 275 hp |
| ISO 9249 (DIN) | 279 mhp | |
| Engine Power (1,800 rpm) | | |
| ISO 14396 | 228 kW | 306 hp |
| ISO 14396 (DIN) | 310 mhp | |
| Bore | 115 mm | 4.5 in |
| Stroke | 149 mm | 5.9 in |
| Displacement | 9.3 L | 567 in ³ |

- Net power advertised is the power available at the engine flywheel when the engine is equipped with a fan, air cleaner, clean emissions module and alternator.
- Advertised power is tested per the specified standard in effect at the time of manufacture.
- No derating required up to 2743 m (9,000 ft) altitude.
- Cat® U.S. EPA Tier 4 Final, EU Stage V, Korea Stage V, China Nonroad Stage IV, Japan 2014 engines are required to use ULSD (ultra-low sulfur diesel fuel with 15 ppm of sulfur or less) or ULSD blended with the following lower-carbon intensity fuels up to:
 - ✓ 20% biodiesel FAME (fatty acid methyl ester)*
 - ✓ 100% renewable diesel, HVO (hydrotreated vegetable oil) and GTL (gas-to-liquid) fuels

Cat engines meeting Eurasian Economic Union Stage IIIA, UN ECE R96 Stage IIIA emission standards, equivalent to U.S. EPA Tier 3/ EU Stage IIIA, are compatible with diesel fuel blended with the following lower-carbon intensity fuels up to:

- ✓ 100% biodiesel FAME (fatty acid methyl ester)**
- ✓ 100% renewable diesel, HVO (hydrotreated vegetable oil) and GTL (gas-to-liquid) fuels

Refer to guidelines for successful application. Please consult your Cat dealer or “Caterpillar Machine Fluids Recommendations” (SEBU6250) for details.

**Engines with no aftertreatment devices can use higher blends, up to 100% biodiesel (For use of blends higher than 20% biodiesel, consult your Cat dealer).*

***For use of blends higher than 20% biodiesel, consult your Cat dealer.*

Air Conditioning

The air conditioning system on this machine contains the fluorinated greenhouse gas refrigerant R134a (Global Warming Potential = 1430). The system contains 1.1 kg of refrigerant which has a CO₂ equivalent of 1.573 metric tons.

Drive System

| | |
|-------------------------|---|
| Description | Electronically controlled Hydrostatic drive with two variable displacement bent axis motors and two variable displacement slipper-type axial piston pumps |
| Travel Speed | Infinite variable speed from 0 to 11 km/h (0 to 6.8 mph) |
| Maximum System Pressure | 45 000 kPa 6,527 psi |

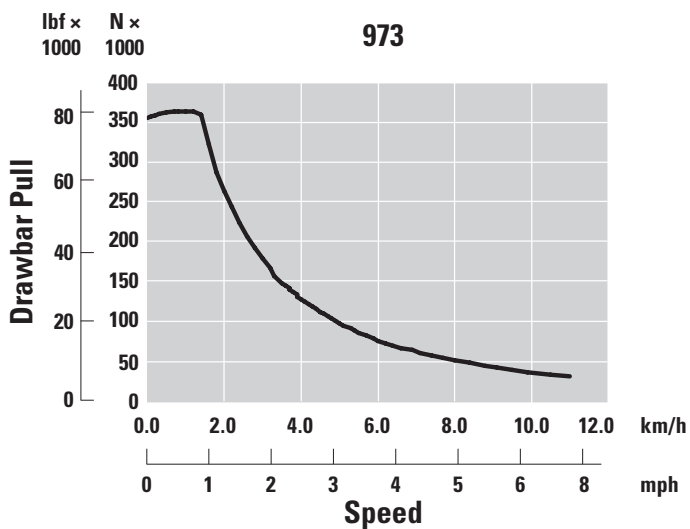
Implement System

| | |
|-------------------------|---|
| Description | Load sensing, variable displacement piston pump |
| Maximum Continuous Flow | 325 L/min 86 gal/min |
| Maximum Pressure | 27 500 kPa 3,988 psi |
| Filter System | Implement return filter |

Service Refill Capacities

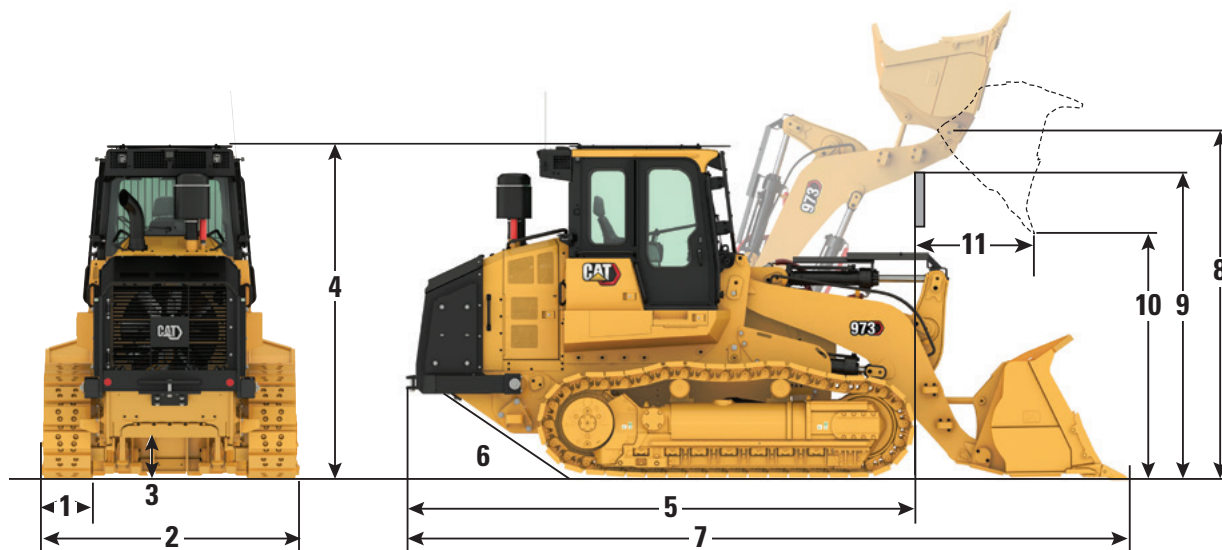
| | | |
|---|--------|-----------|
| Steel Mill Fuel Tank | 384 L | 101.5 gal |
| Diesel Exhaust Fluid (DEF) Tank (when equipped) | 35 L | 9.2 gal |
| Cooling System | 44 L | 11.6 gal |
| Crankcase (with filter) | 26 L | 6.9 gal |
| Final Drive (each) | 28.5 L | 7.5 gal |
| Hydraulic Tank | 349 L | 92.2 gal |
| Pivot Shaft | 3 L | 0.8 gal |

Drawbar Pull



973 Track Loader – Steel Mill Specifications

Weights and Dimensions



Construction configuration shown.

| | Steel Mill | |
|--|------------|-----------|
| Operating Weight ¹ | 34 563 kg | 76,198 lb |
| Shipping Weight ² | 29 692 kg | 65,460 lb |
| 1 Track Shoe Width | | |
| Double Grouser, Triple Grouser, Flat, Alternate | 500 mm | 20 in |
| Track Rollers – Each Side | | 7 |
| Number of Shoes – Each Side | | 40 |
| Track on Ground | 2930 mm | 115.3 in |
| Ground Pressure | 102.8 kPa | 14.9 psi |
| 2 Overall Machine Width with Slag Bucket | 2960 mm | 116.5 in |
| 3 Ground Clearance | 469 mm | 18.5 in |
| 4 Machine Height to Top of Cab | 3510 mm | 138.2 in |
| 5 Machine Length to Front of Tracks | 5318 mm | 209.4 in |
| 6 Ramp Angle | | 29° |
| 7 Overall Machine Length with Slag Bucket | 7748 mm | 305 in |
| 8 Hinge Pin Height at Maximum Lift | 4218 mm | 166.1 in |
| 9 Lift Arm Clearance at Maximum Lift | 3667 mm | 144.4 in |
| 10 Dump Clearance at Maximum Lift and 45° Discharge | 2912 mm | 114.6 in |
| 11 Reach at Maximum Lift and 45° Discharge | 1486 mm | 58.5 in |
| Turning Radius | 5.2 m | 205 in |

¹Operating weight: machine with partial steel mill package, Slag bucket with teeth and segments, Heavy Duty Extended Life undercarriage, aftertreatment system, lubricants, 100% fuel tank and 75 kg (165 lb) operator. For machines without aftertreatment, subtract 287 kg (632 lb).

²Shipping weight: machine with steel mill package, Heavy Duty undercarriage, aftertreatment system, lubricants, 10% fuel tank and no bucket. For machines without aftertreatment, subtract 287 kg (632 lb).

973 Track Loader – Steel Mill Specifications

Buckets

| Pin-On Buckets – Standard Linkage | Slag Bucket | | Narrow Slag Bucket | |
|---|------------------------|-------------------|------------------------|---------------------|
| Cutting Edge Type | Long teeth and segment | | Long teeth and segment | |
| Bucket Weight | 4519 kg | 9,963 lb | 4284 kg | 9,444 lb |
| Bucket Width | 2960 mm | 116.5 in | 2714 mm | 106.9 in |
| Rated Capacity at 100% Fill Factor ¹ | 3 m ³ | 4 yd ³ | 2.8 m ³ | 3.7 yd ³ |
| Rated Operating Capacity ² | 8916 kg | 19,656 lb | 9000 kg | 19,842 lb |
| Static Tipping Load ³ | 25 474 kg | 56,161 lb | 25 709 kg | 56,679 lb |
| Breakout Force | 215 070 N | 48,350 lbf | 215 070 N | 48,350 lbf |

¹Volumetric bucket capacity as per ISO 7546:1983.

²Rated Operating Capacity should be considered with 35% Static Tipping Load as required by ISO 14397-1:2007.

³Machine equipped with standard and additional counterweights.

Track

| Track Shoe Width – Heavy Duty Sealed and Lubricated | Grousers | Features |
|---|---------------------------|------------|
| 500 mm (20 in) | Double | Steel Mill |
| 500 mm (20 in) | Flat | Steel Mill |
| 500 mm (20 in) | Triple | Steel Mill |
| 500 mm (20 in) | Alternate Flat and Double | Steel Mill |

Standards

ROPS/FOPS

- ROPS (Rollover Protective Structure) offered by Caterpillar for the machine meets ROPS criteria ISO 3471:2008.
- FOPS (Falling Object Protective Structure) meets ISO 3449:2005 Level II.

Brakes

- Brakes meet the standard ISO 10265:2008.

Sound and Vibration Information

- The declared dynamic operator sound pressure level is 75 dB(A) when “ISO 6396:2008” is used to measure the value for an enclosed cab. The measurements were conducted at 70% of the maximum engine cooling fan speed. The sound level may vary at different engine cooling fan speeds. The cab was properly installed and maintained. The measurements were conducted with the cab doors and the cab windows closed. NOTE: The dynamic operator sound pressure level uncertainty is ± 2 dB(A).
- Hearing protection may be needed when the machine is operated with an open operator station for extended periods, in a noisy environment or with a cab that is not properly maintained.
- The guaranteed exterior sound power level is 111 dB(A) when the value is measured according to the dynamic test procedures and the conditions that are specified in “ISO 6395:2008.” The measurements were conducted at 70% of the maximum engine cooling fan speed. The sound level may vary at different engine cooling fan speeds.
- Sound level information for machines in European Union countries and in countries that adopt the “EU Directives”: If equipped, the certification label is used to verify the environmental sound certification of the machine to the requirements of the European Union. The value that is listed on the label indicates the guaranteed exterior sound power level (L_{WA}) at the time of manufacture for the conditions that are specified in “2000/14/EC.”

973 Steel Mill Standard and Optional Equipment

Standard and Optional Equipment

Standard and optional equipment may vary. Consult your Cat dealer for details.

| | Standard | Optional | | Standard | Optional |
|--|----------|----------|---|----------|----------|
| POWER TRAIN | | | ELECTRICAL | | |
| Cat C9.3B diesel engine with engine-mounted aftertreatment to meet U.S. EPA Tier 4 Final, EU Stage V, Korea Stage V, China Nonroad Stage IV, Japan 2014 emission standards | | ✓ | Ground Level Service Center | ✓ | |
| Cat C9.3B diesel engine to meet Eurasian Economic Union Stage IIIA, UN ECE R96 Stage IIIA emission standards, equivalent to Tier 3/Stage IIIA | | ✓ | 24 volt heavy-duty alternator | ✓ | |
| Engine turbocharger | ✓ | | Backup alarm | ✓ | |
| Air-To-Air After Cooler (ATAAC) | ✓ | | Two horns | ✓ | |
| Modular cooling system for engine air intake, oil and water | ✓ | | Two heavy-duty batteries, high output, maintenance free, 1,120 CCA | ✓ | |
| Hydraulic demand fan – electronically controlled, temperature sensing | ✓ | | Main disconnect switch | ✓ | |
| Hydraulic fan, reversing | ✓ | | Electric starter (heavy-duty, 24 volt) | ✓ | |
| Electro Hydrostatic Control (EHC) for transmission | ✓ | | LED flashing beacon | | ✓ |
| Engine idle shutdown | ✓ | | OPERATOR ENVIRONMENT | | |
| Auto engine speed control | ✓ | | Steel Mill cab with thermal protection, all sealed windows, windshield and front light protection, eight halogen lights: four facing forward, two facing sideways, two facing rearward integrated into air conditioner unit | ✓ | |
| Electric fuel pump | ✓ | | Deluxe high back seat – heated, with adjustable shock control | | ✓ |
| Water separator | ✓ | | Premium Plus high back seat – heated and cooled, lockable side-side isolator | | ✓ |
| Engine air cleaner | ✓ | | Adjustable armrests | ✓ | |
| Metallic engine air precleaner | ✓ | | Electro Hydraulic, seat mounted control levers with faster processing | ✓ | |
| UNDERCARRIAGE | | | V-pattern and pedal steering controls | | ✓ |
| Sealed non lubricated Heavy Duty Extended Life (HDXL) | ✓ | | Joystick steering controls | | ✓ |
| Oscillating track roller frames | ✓ | | Joystick implement control | | ✓ |
| Track guiding guards, end section | ✓ | | Two-lever implement control | | ✓ |
| Hydraulic track adjuster | ✓ | | Seat belt, retractable, with buckling indicator on dash | ✓ | |
| Sprocket rims with replaceable bolt-on tough steel segments | ✓ | | Four-point restraint ready seat | ✓ | |
| Sprocket guards | ✓ | | Air conditioning and heating | ✓ | |
| Seven track rollers per side, with two upper carrier rollers, lifetime lubricated | ✓ | | | | |
| Idlers, conventional type, lifetime lubricated | ✓ | | | | |

(continued on next page)

973 Steel Mill Standard and Optional Equipment

Standard and Optional Equipment *(continued)*

Standard and optional equipment may vary. Consult your Cat dealer for details.

| | Standard | Optional | | Standard | Optional |
|--|----------|----------|--|----------|----------|
| OPERATOR ENVIRONMENT <i>(continued)</i> | | | OTHER STANDARD EQUIPMENT | | |
| Heater/defroster with automatic temperature control and automatic blower control | ✓ | | Durable metal fender | ✓ | |
| Rearview mirror, inside, adjustable | ✓ | | Exterior sound suppression | ✓ | |
| 24V Radio ready. Includes speakers, antenna and 12V power outlet and 5V USB port | ✓ | | Load sensing implement pump with variable displacement | ✓ | |
| Radio – FM Ready Kit | | ✓ | Z-bar loader linkage | ✓ | |
| Radio – Bluetooth & Aux & Mic | | ✓ | Implement cylinders with sensors | ✓ | |
| Parking brake switch and “brake-on” indicator light | ✓ | | Engine enclosure with lockable doors | ✓ | |
| Implement lock-out switch | ✓ | | Debris resistant radiator core (six fins-per-inch) | ✓ | |
| High Definition rearview camera | ✓ | | Hinged radiator guard and swing out fan | ✓ | |
| 254 mm (10 in) color touchscreen display with integrated rear camera display and machine slope indicator | ✓ | | 4 × 2 easy tie-down points on chassis | ✓ | |
| Three selectable working modes (Auto, Power, Eco) | ✓ | | GUARDING | | |
| Configurable implement levers | ✓ | | Heavy-duty front guard | ✓ | |
| Operator programmable lift and tilt kickouts | ✓ | | Windshield guard with metallic screen | ✓ | |
| Machine Pitch and Roll indicate | ✓ | | Full bottom guards | ✓ | |
| Bucket angle indicate | ✓ | | Idler guard (none) | | ✓ |
| Bucket shake | ✓ | | Idler guard | | ✓ |
| Remote services (Troubleshoot/Remote Flash) | | ✓ | Idler guard – ship hold | | ✓ |
| Heavy-duty rubber floor mat | ✓ | | Front light guard | | ✓ |
| Windshield washers and silicone wipers, multiple speed, front and rear | ✓ | | Windshield guard | | ✓ |
| Durable metal roof | ✓ | | Tilt cylinder guard | ✓ | |
| Coat hook | ✓ | | Two-piece final drive guard | | ✓ |
| Storage compartments under left armrest | ✓ | | Three-piece final drive guard | | ✓ |
| Lunch box storage with strap holder | ✓ | | Final drive bottom guard | | ✓ |
| Document holder on right console | ✓ | | Track roller guard | | ✓ |

(continued on next page)

973 Steel Mill Standard and Optional Equipment

Standard and Optional Equipment *(continued)*

Standard and optional equipment may vary. Consult your Cat dealer for details.

| | Standard | Optional | | Standard | Optional |
|--|----------|----------|---|----------|----------|
| WORK TOOLS* | | | REAR ATTACHMENTS | | |
| Buckets: | | | Striker bars | | ✓ |
| Pin-On Slag – Heavy duty – 3.0 m ³ (3.9 yd ³) | | ✓ | FUEL TANK | | |
| Pin-On Slag – Heavy duty – 2.8 m ³ (3.7 yd ³) | | ✓ | Insulated metallic fuel tank | ✓ | |
| Pin-On General Purpose – Heavy duty – 3.6 – 3.8 m ³ (4.7 – 5.0 yd ³) | | ✓ | OTHER EQUIPMENT | | |
| Pin-On Multi-Purpose – Heavy duty – 3.0 m ³ (3.9 yd ³) | | ✓ | Access package | | ✓ |
| No bucket | | ✓ | TECHNOLOGY PRODUCTS | | |
| HYDRAULICS | | | Product Link™ ready | ✓ | |
| Two-valve hydraulics, two-lever | | ✓ | Product Link dual (cellular and satellite) | | ✓ |
| Two-valve hydraulics, joystick | | ✓ | Cat Payload | | ✓ |
| Standard hydraulic lines | ✓ | | COUNTERWEIGHTS | | |
| MAINTENANCE | | | Counterweight for rear HD bumper 400 kg (882 lb) | ✓ | |
| Standard lubricant | | ✓ | | | |
| Bio lubricant | | ✓ | | | |
| Ecosafe lubricant (steel mill) | ✓ | | | | |
| Cat extended life coolant | ✓ | | | | |
| Extended service package – manual hydraulic system enabling cab tilt and lock at 30 degrees safely in the field, shovel holder bracket (shovel not included) | ✓ | | | | |
| High speed oil change | | ✓ | | | |
| Ecology drains on hydraulic oil tank | ✓ | | | | |
| Oil sampling valves | ✓ | | | | |
| Cat XT hoses | ✓ | | | | |
| HYDO Advanced 10 | ✓ | | | | |
| Implement oil return filter in hydraulic tank | ✓ | | | | |
| Hystat drain return filter in hydraulic tank | ✓ | | | | |

*Bucket and attachment offerings may vary. Please consult your Cat dealer for availability.



オフロード法少数特例
2014年基準同等適合車

For more complete information on Cat products, dealer services, and industry solutions, visit us on the web at www.cat.com

© 2023 Caterpillar
All rights reserved

Materials and specifications are subject to change without notice. Featured machines in photos may include additional equipment. See your Cat dealer for available options.

CAT, CATERPILLAR, LET'S DO THE WORK, their respective logos, "Caterpillar Corporate Yellow," the "Power Edge" and Cat "Modern Hex" trade dress as well as corporate and product identity used herein, are trademarks of Caterpillar and may not be used without permission. VisionLink is a trademark of Caterpillar Inc., registered in the United States and in other countries.

Based on the Labor, Safety and Health Laws in Japan, employer of small construction equipment are required to provide specific training for all operators on machines with machine weight less than 3 metric ton. For machines greater than 3 metric ton, operator needs to obtain operator license certification from a Government approved registered training school.

AEXQ3536-00 (02-2023)
Build Number: 12A
(Afr-ME, Asia Pacific, Aus-NZ,
China, Eurasia, Europe,
Japan, S Korea, N Am,
S Am, SE Asia, Turkey)

